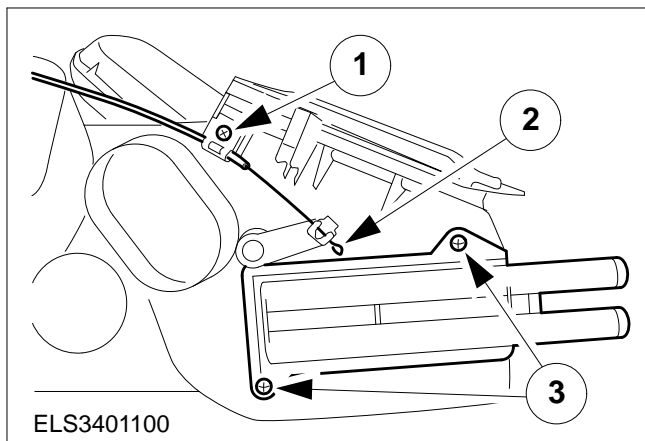


Heater Assembly – Dismantle and Assemble (heater assembly removed) (34 354 8)

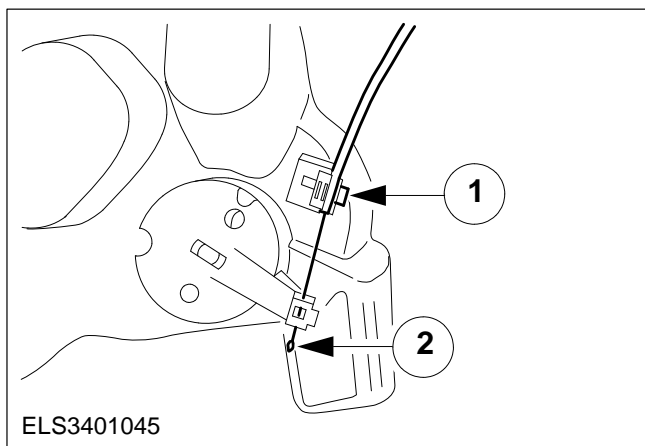
Manually Controlled Air Conditioning System



Remove the heater radiator

1. Dismantle the heater housing.

- 1 Detach the cable bracket on the right-hand side.
- 2 Unclip the cable.
- 3 Remove the radiator.

**2. Dismantle the heater housing (continued).**

- 1 Detach the cable bracket on the left-hand side.
- 2 Unclip the cable.

Install the heater radiator

3. Reassemble the components in the reverse order.