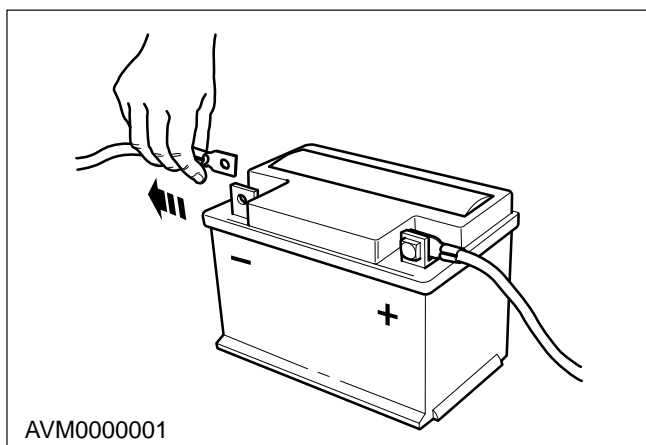
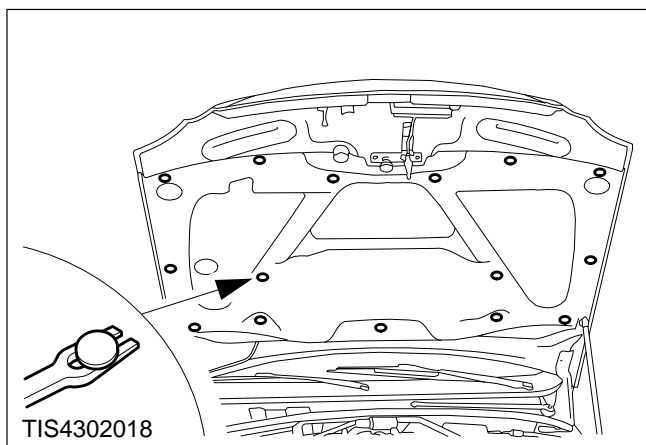


## Hood Assembly – Remove and Install (41 214 0)



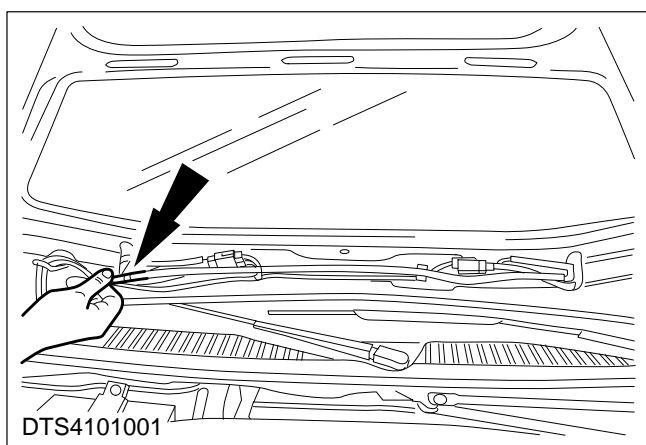
### Remove

1. Disconnect the battery negative lead.

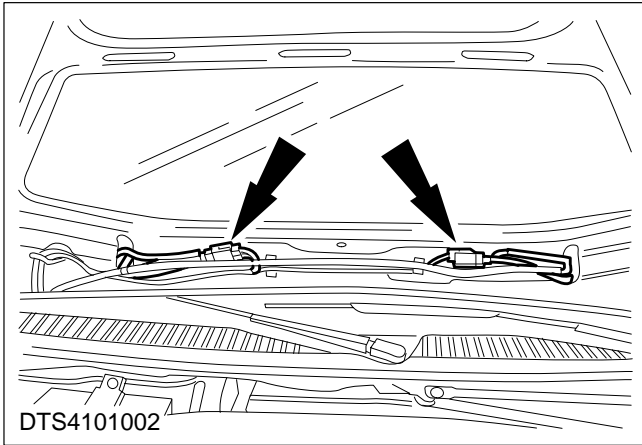


2. Remove the hood insulator.

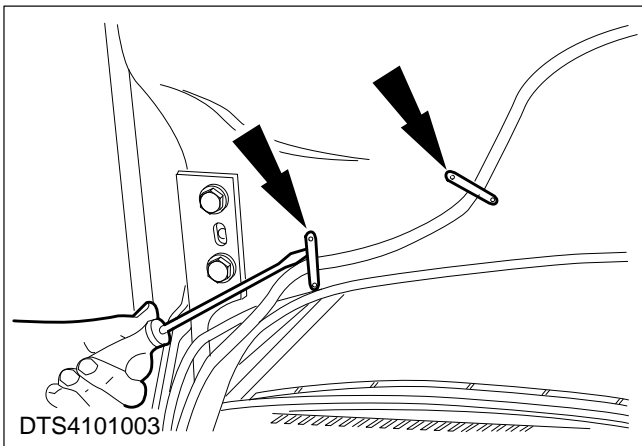
Fifteen clips.



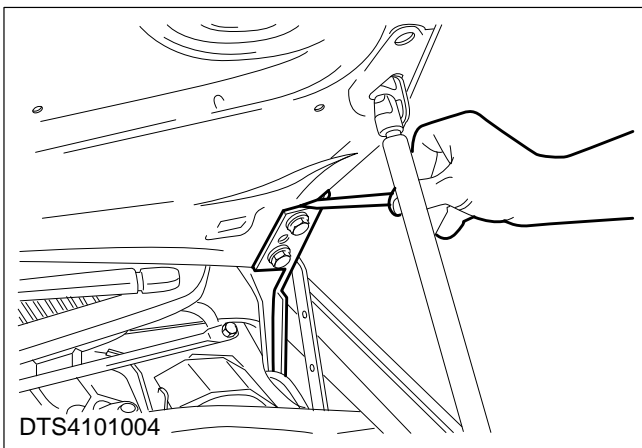
3. Disconnect the screenwash tube at the T-joint and unclip from the hood.



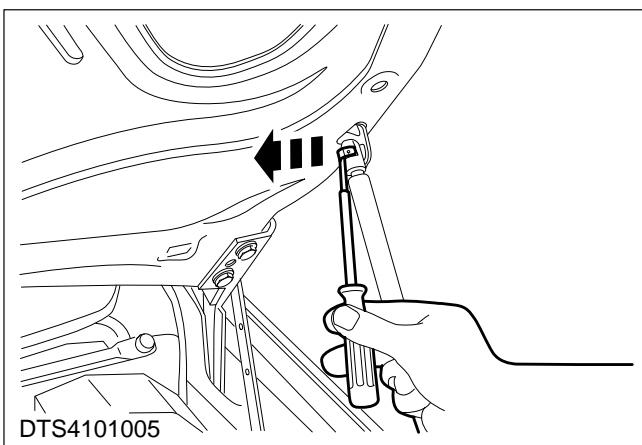
4. Disconnect the two heated screenwash jet multiplugs.



5. Unclip the screenwash tube and harness from the hood.  
Two retaining clips.

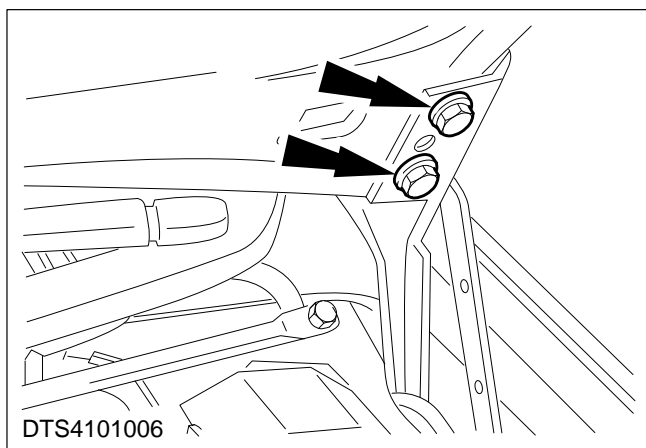


6. Using a suitable marker pen, mark the position of the hood hinge brackets.

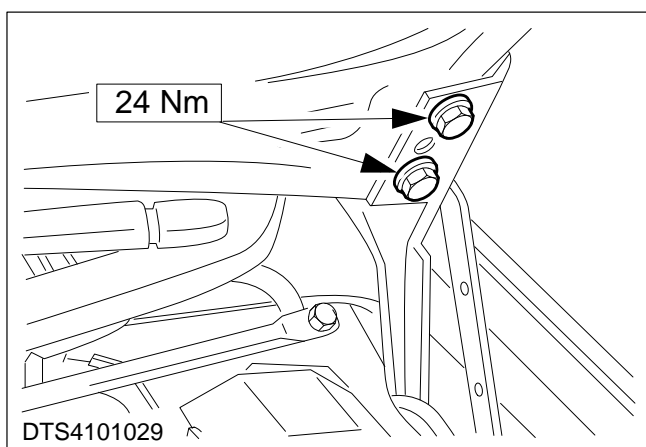


7. Support the hood and disconnect the two damper struts.

Release the spring clips and pull the damper from the pivot post.

**8. Remove the hood.**

With the assistance of another technician, remove the four hood retaining bolts.

**Install****9. Refit the components in reverse order.**

Carefully align the hood hinges to the markings on the hood before fully tightening the bolts.