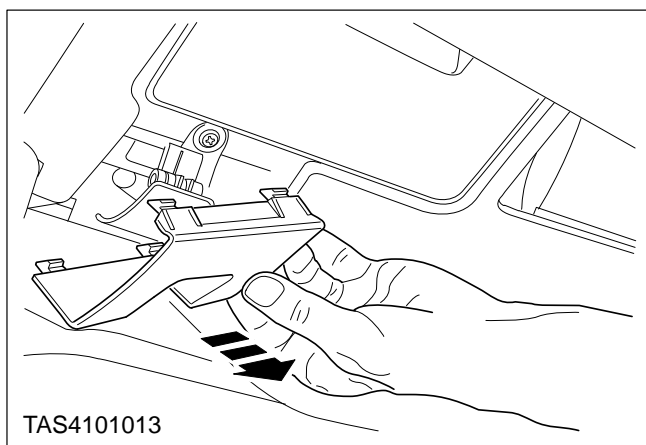
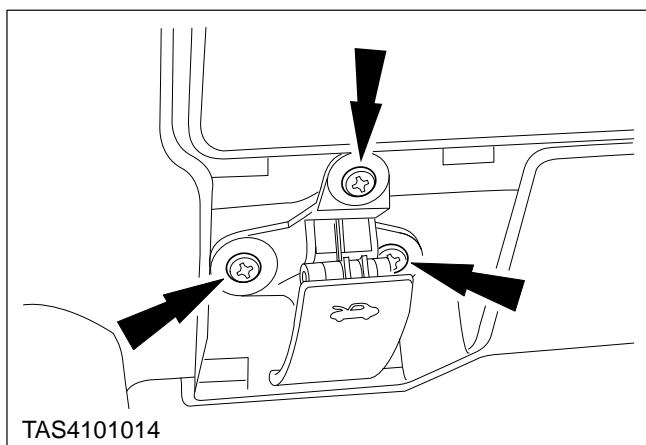
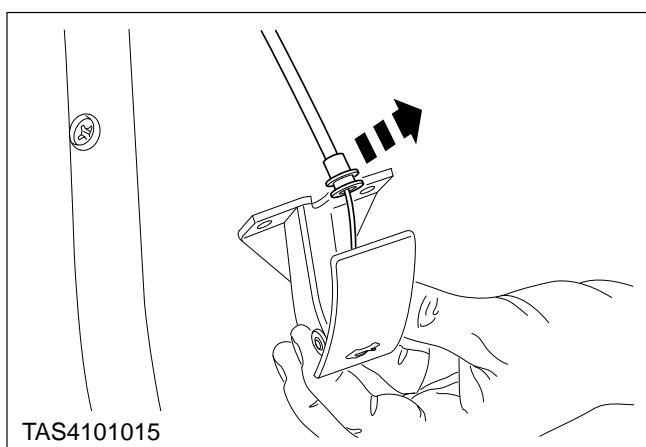


**Cable – Hood Release – Remove and Install (41 224 0)**

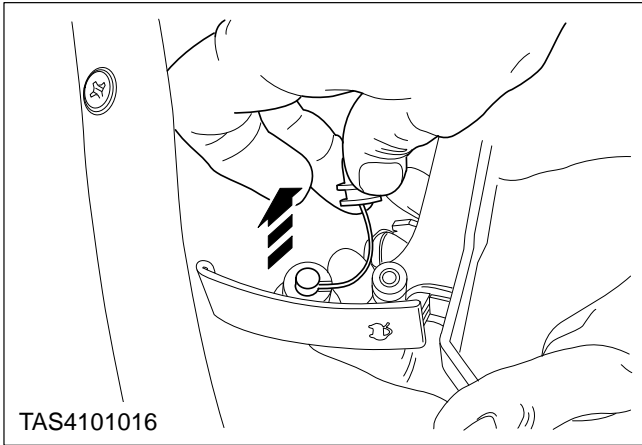
Remove  
Lever Assembly – Hood Release –  
Remove (41 226 0)

**1. Remove the hood release lever trim panel.**

Prise out the four locating pegs.

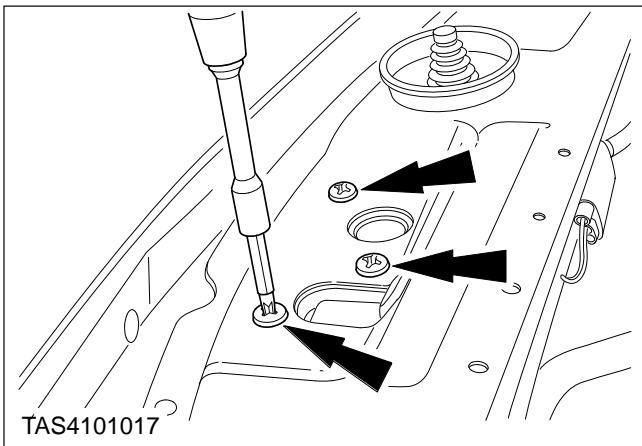
**2. Remove the three release lever fixing screws.****3. Remove the release lever.**

Push out the outer release cable from the lever bracket.



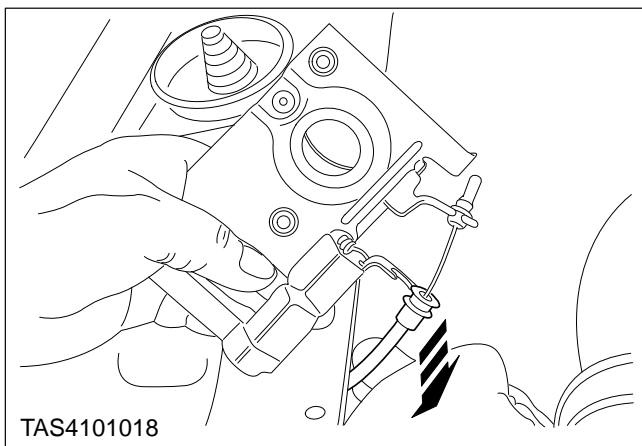
#### 4. Remove the release lever (Cont'd)

Position the lever to align the inner cable with the groove and lift the inner cable out.



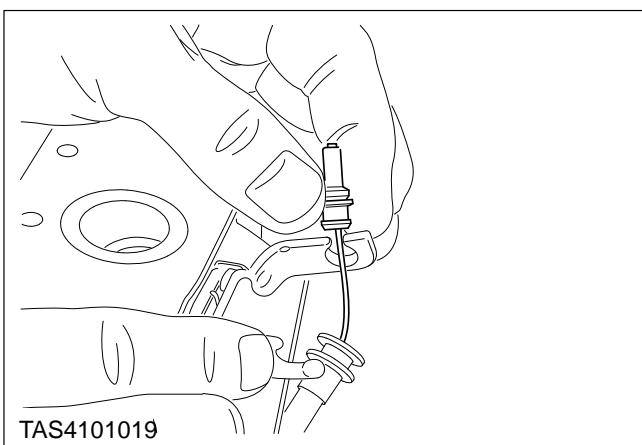
#### Lock Assembly – Hood – Remove (41 232 0)

#### 5. Remove the three hood lock retaining screws.



#### 6. Remove the hood lock.

- Push out the outer release cable from the lock bracket.
- Push out the inner release cable from the lock lever.



#### 7. Unclip and remove the hood release cable.

Install

**8. Refit the components in reverse order.**

Lock Assembly – Hood – Install  
(41 232 0)

Lever Assembly – Hood Release –  
Install (41 226 0)