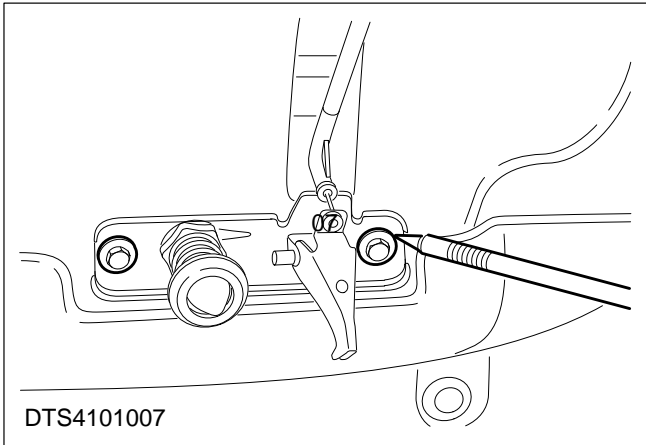
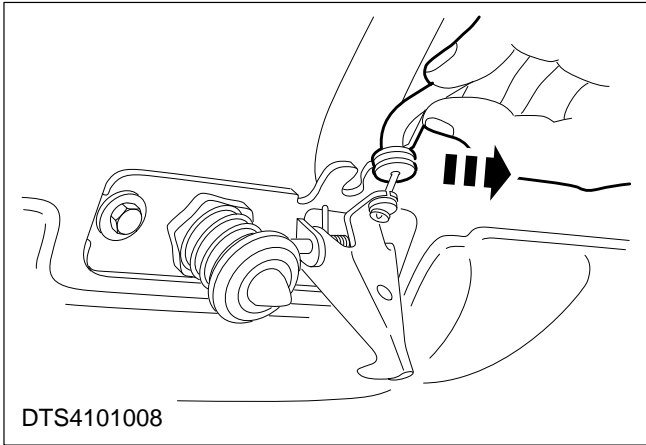


Safety Catch – Hood – Remove and Install (41 236 0)

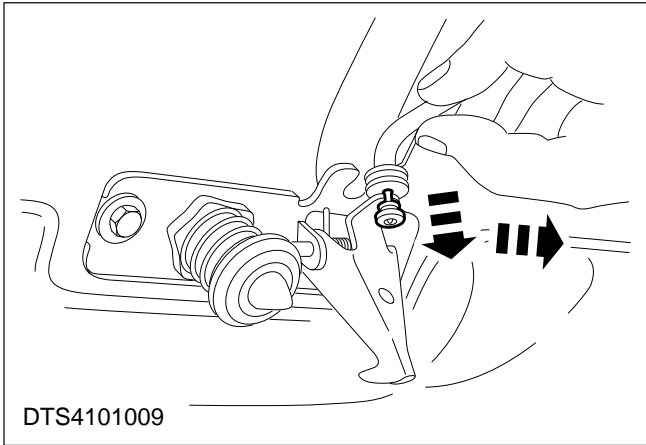


Remove

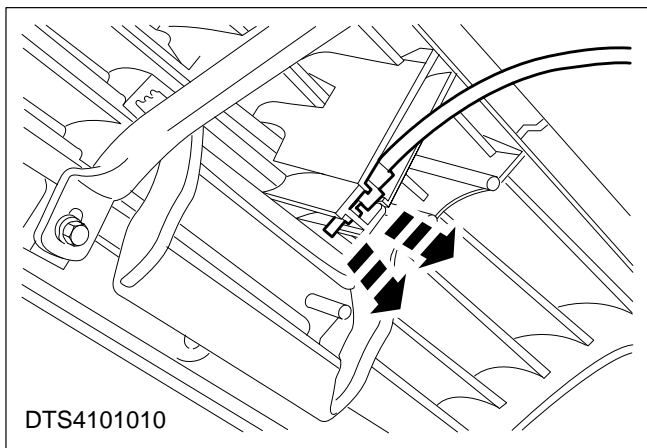
- 1. Using a suitable marker, mark the position of the safety catch.**



- 2. Remove the release cable.**
Push out the outer cable from the latch bracket.

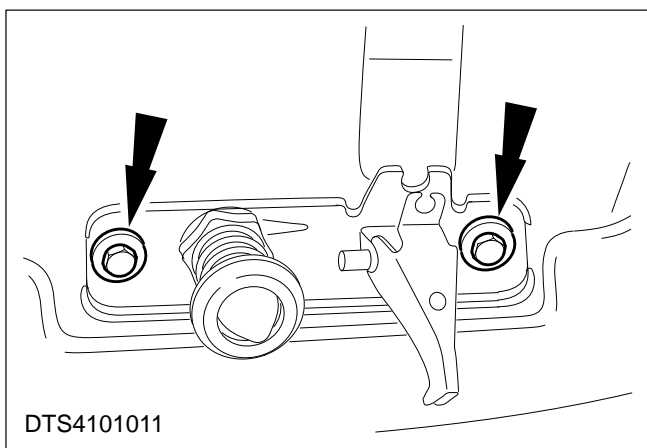


- 3. Remove the release cable (Cont'd)**
Disconnect the inner cable from the catch lever.



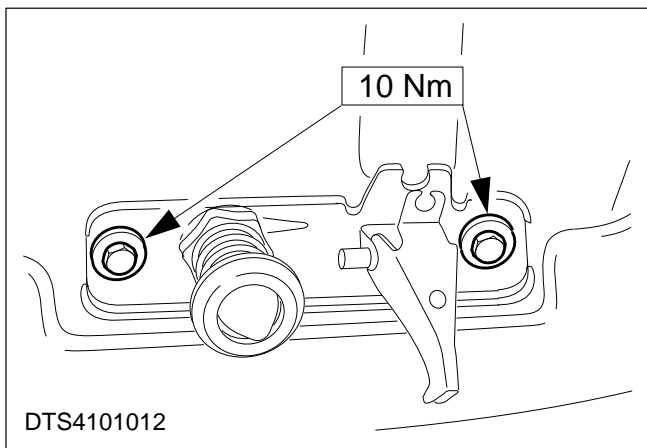
4. Remove the release cable (Cont'd)

Disconnect the cable from the release lever.



5. Remove the catch retaining bolts.

Two bolts.



Install

6. Refit the components in reverse order.