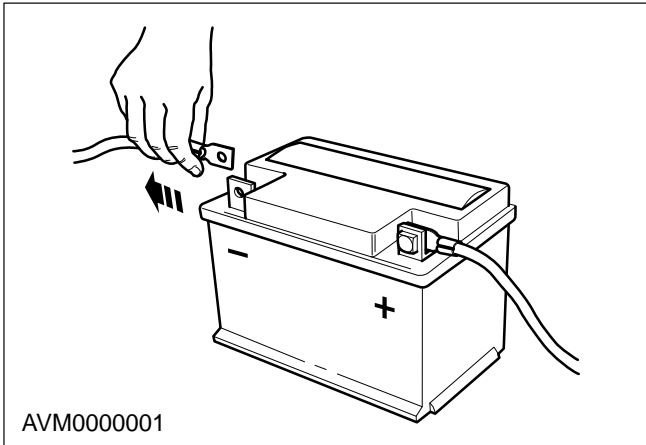
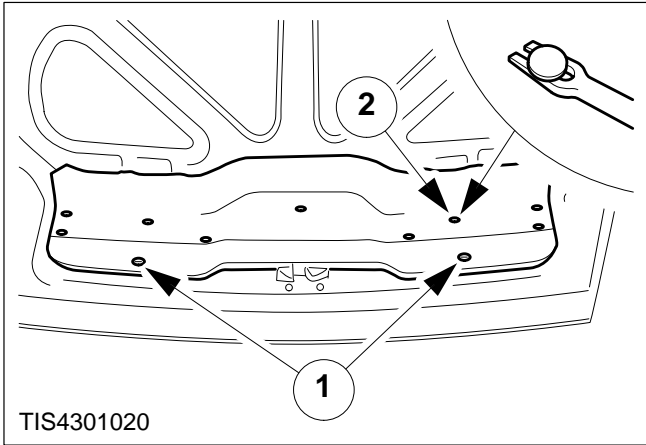


**Lid Assembly – Luggage Compartment – Remove (41 714 0)**



Remove

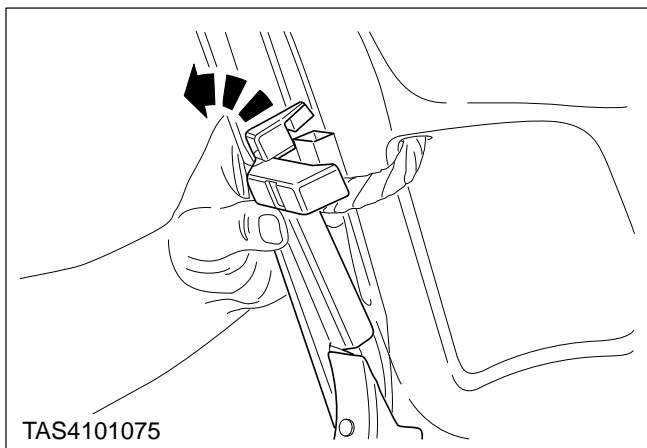
**1. Disconnect the battery negative lead.**



**2. Remove the luggage compartment lid trim panel.**

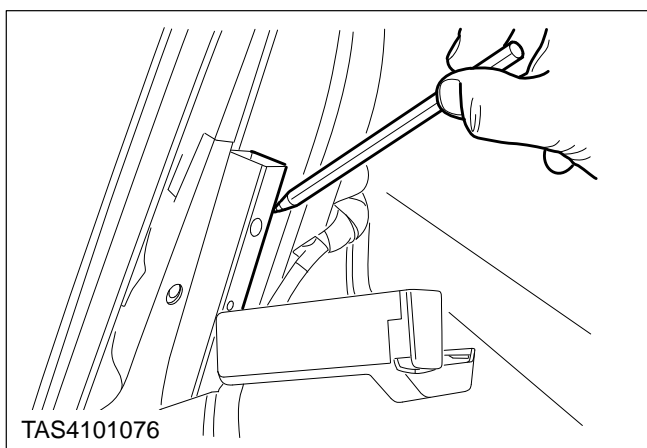
1 Two 90 degree twist clips.

2 Nine push clips.

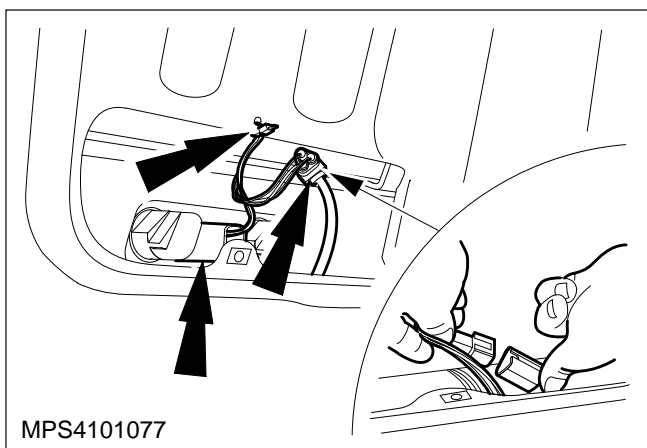


**3. Displace the harness hinge shield.**

Push up to displace from the end of the hinge.

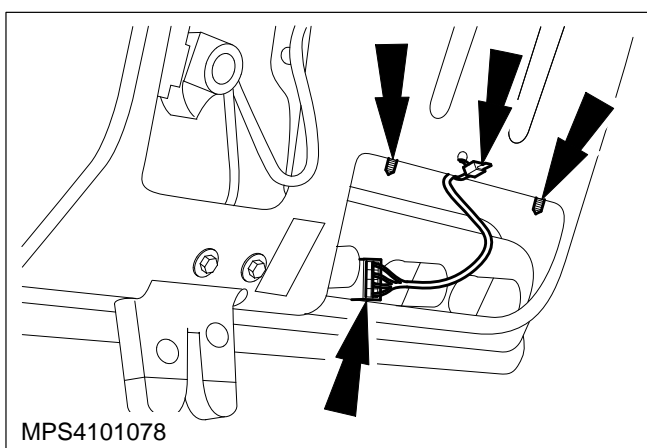


**4. Using a suitable marker pen, mark the position of the hinges.**



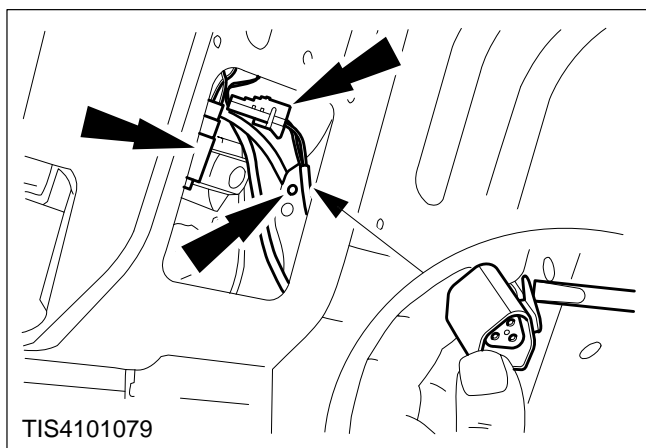
**5. Displace the luggage compartment lid wiring harness.**

Disconnect and unclip the right-hand side harness multiplugs.



**6. Displace the luggage compartment lid wiring harness (Cont'd).**

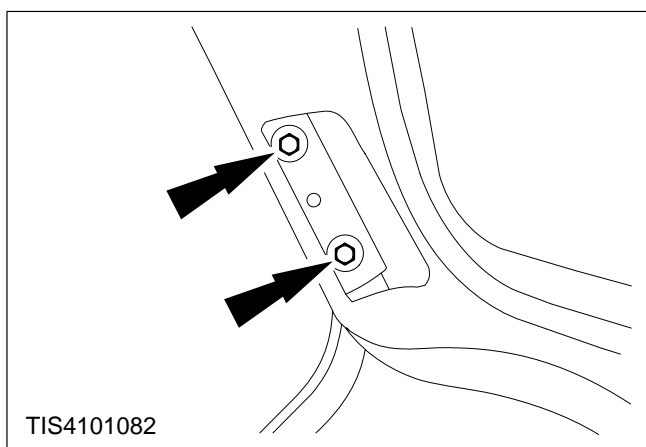
Disconnect and unclip the left-hand side harness multiplugs.



**7. Displace the luggage compartment lid wiring harness (Cont'd).**

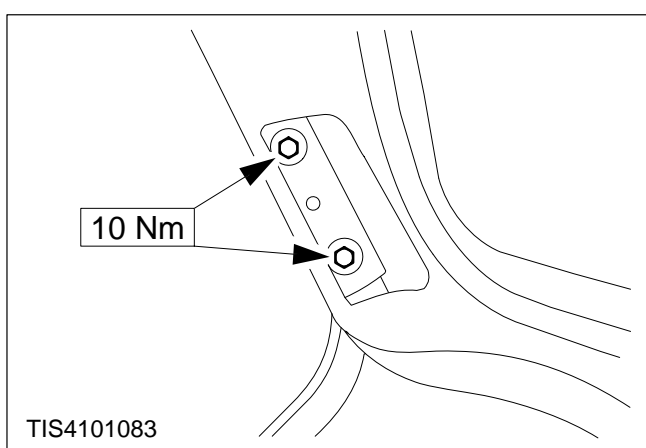
Disconnect and unclip the centre harness multiplugs.

**8. Withdraw the harness from the luggage compartment lid.**



**9. With the assistance of another technician, remove the luggage compartment lid.**

Four bolts.



**Install**

**10. Refit the components in reverse order.**

Carefully position the hinges to the markings on the lid before fully tightening the retaining bolts.