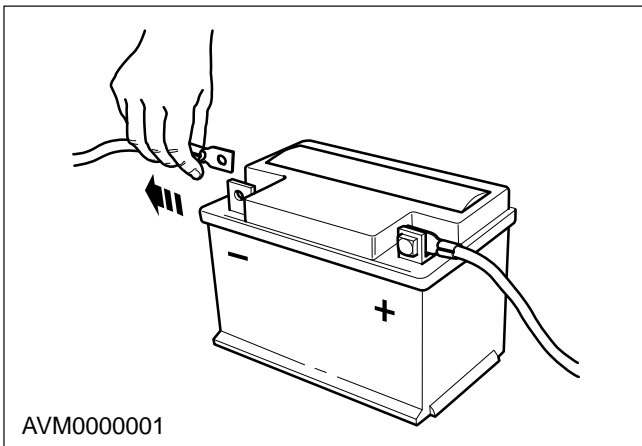
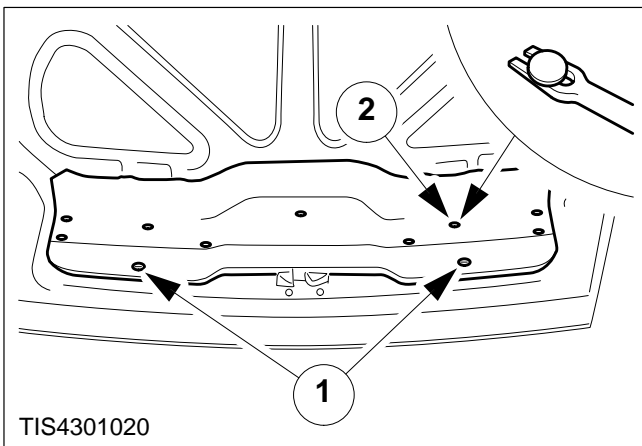


Barrel – Luggage Compartment Lock – Remove and Install (41 724 0)



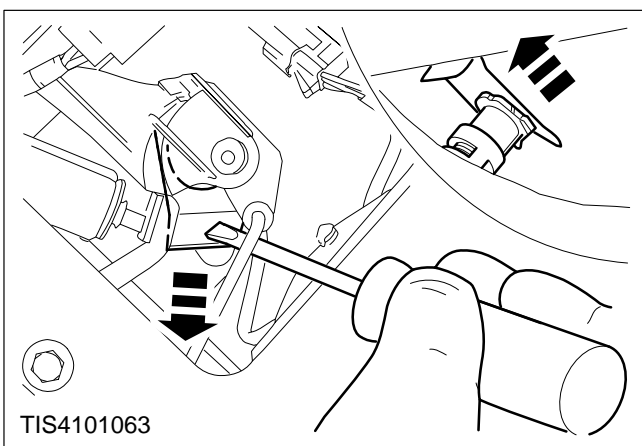
Remove

1. Disconnect the battery negative lead.



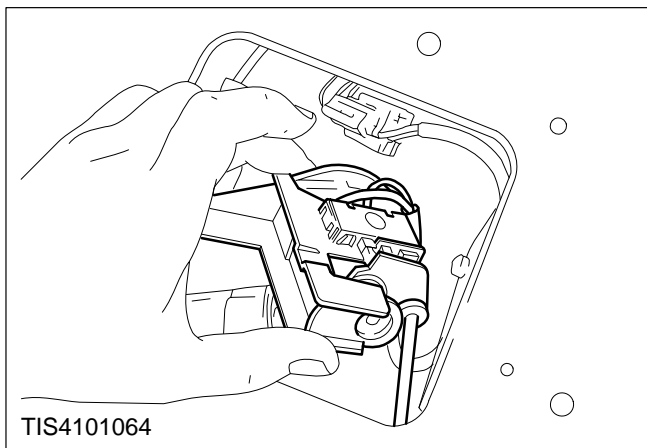
2. Remove the luggage compartment trim panel.

- 1 Two 90 degree twist clips.
- 2 Nine push clips.

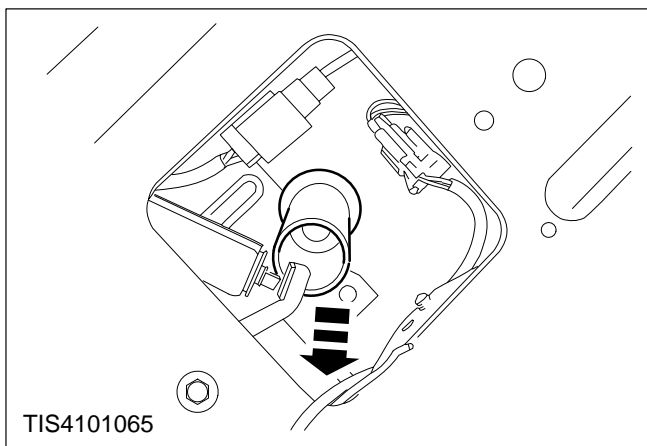


3. Remove the barrel retaining clip.

Push the spring clip to remove.



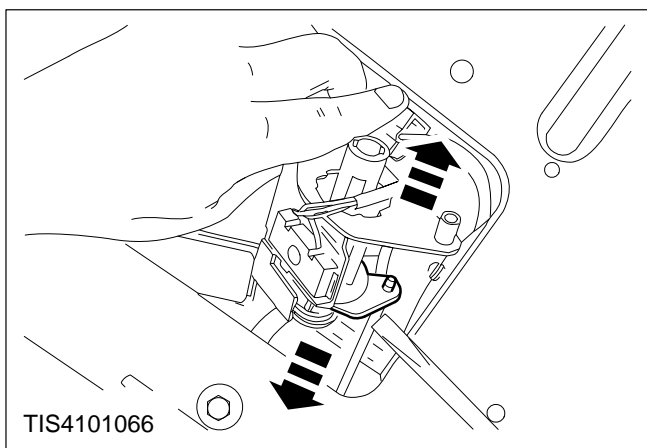
4. Ease the actuator mechanism out from the compartment lid to access the barrel spacer tube.



5. Remove the spacer tube.

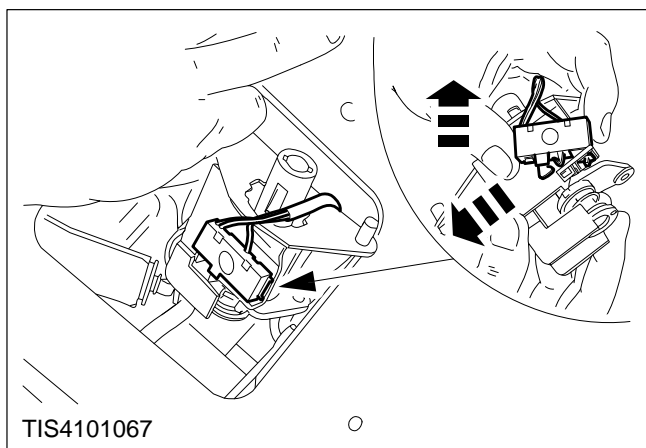
6. Remove the barrel from the luggage compartment lid.

Ease out from the panel.



7. Disconnect the lock actuating rod.

Turn the actuator mechanism through 90 degrees and pull out the rod.



8. Disconnect the barrel set/reset switch and remove the actuator mechanism.

Carefully push and tilt the switch to remove.

Install

9. Refit the components in reverse order.