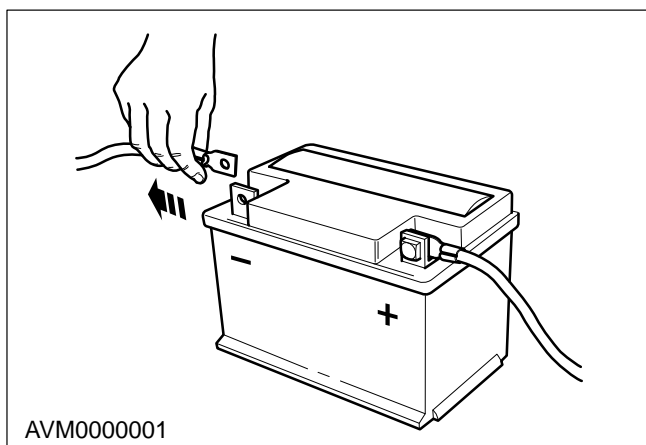
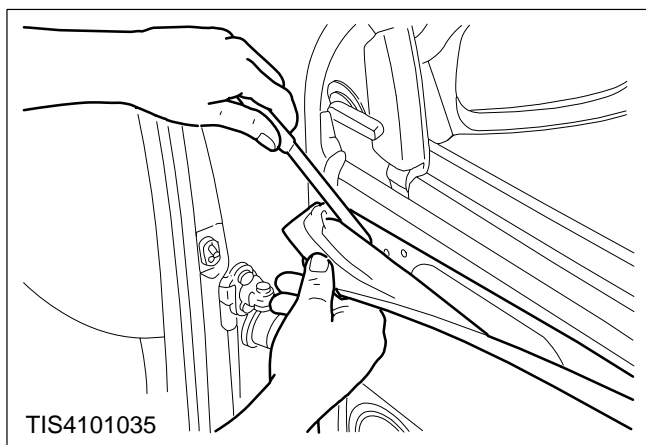


Barrel – Door Lock – Remove and Install (41 336 0)**Remove**

- 1. Disconnect the battery negative lead.**
- 2. Remove the door trim panel (refer to Operation Number 43 705 0).**

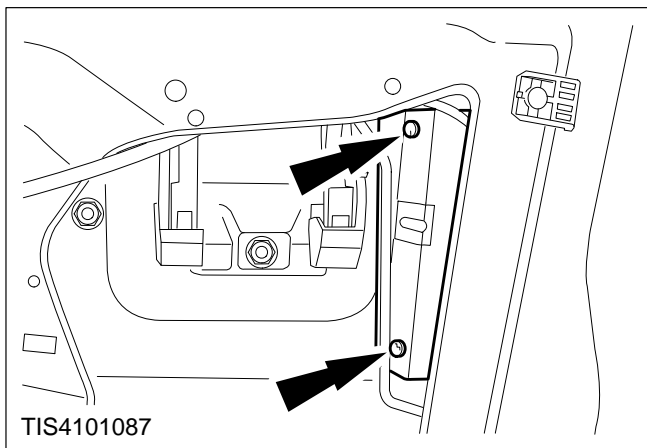


⚠ CAUTION: Do not touch adhesive surfaces as re-bonding will be impaired.

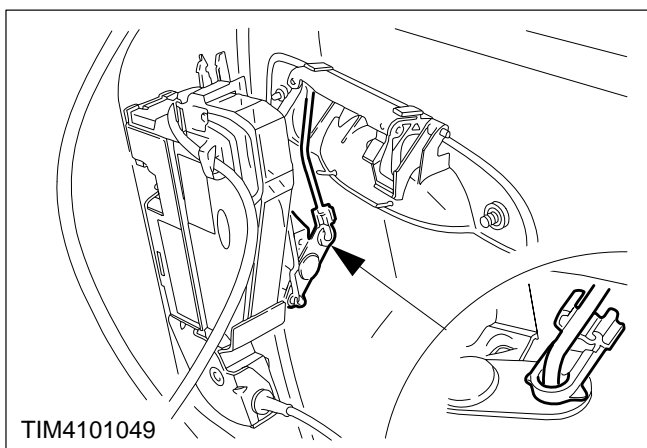
- 3. Locally peel back the door insulation material.**

Using a plastic knife, (disposable cutlery) cut through the Butyl strip to enable the foam insulator to be peeled back for access. DO NOT attempt to peel the insulation from the door without cutting the butyl.

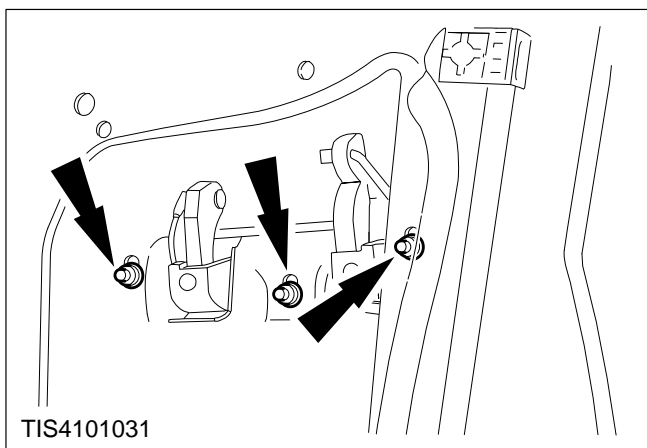
- 4. Remove the door window glass (refer to Operation Number 42 314 0).**



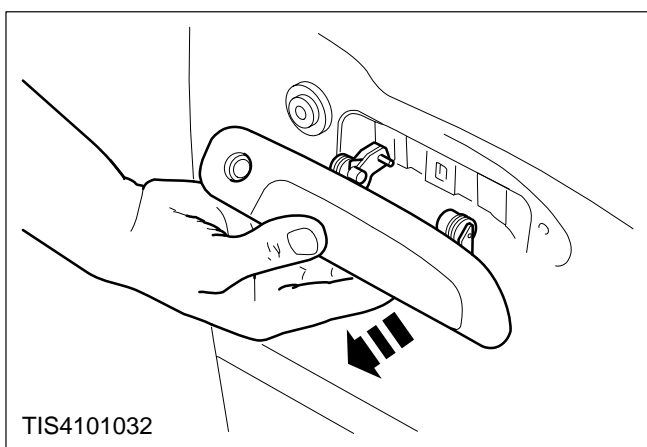
5. Remove the barrel lock shield (two screws).



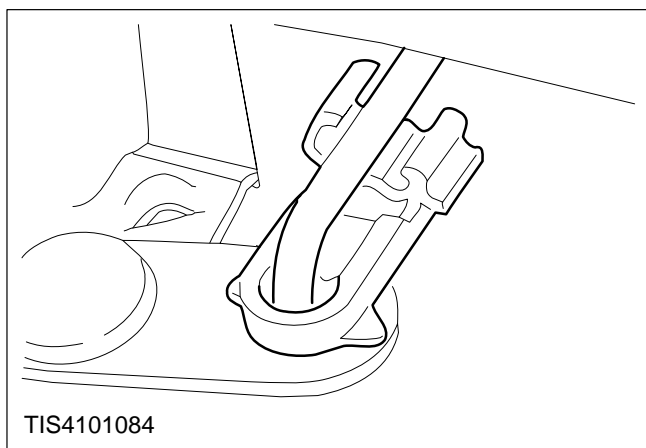
6. Disconnect the door lock actuating rod.
Prise open the plastic clip at the lock lever and pull out the rod.



7. Remove the three handle retaining nuts.

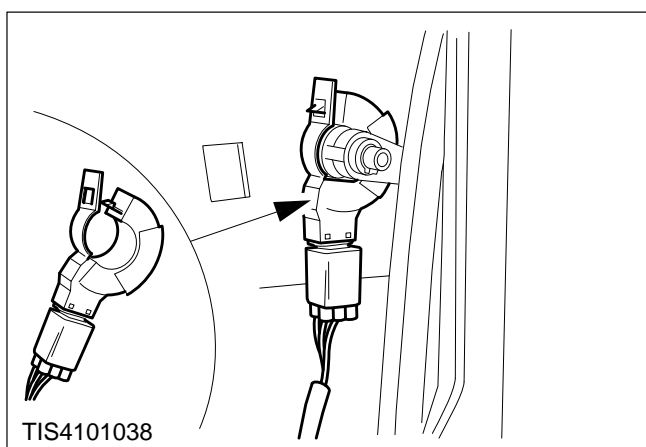


8. Remove the handle.
9. Remove the actuating rod.
Turn through 90 degrees and pull out.



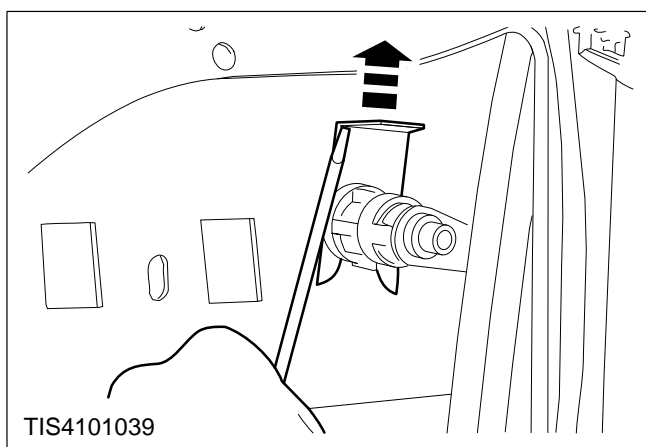
10. Disconnect the barrel to door lock actuating rod.

Prise open the plastic clip at the lock lever pull out the rod.



11. Detach the barrel set/reset switch.

Open the clip at the top of the switch and pull away.



12. Remove the barrel.

Push off the horseshoe retaining clip and pull the barrel out of the door.

Install

13. Refit the components in reverse order.