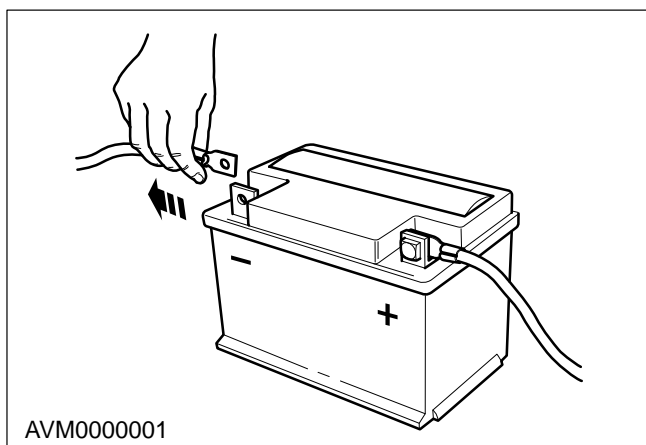
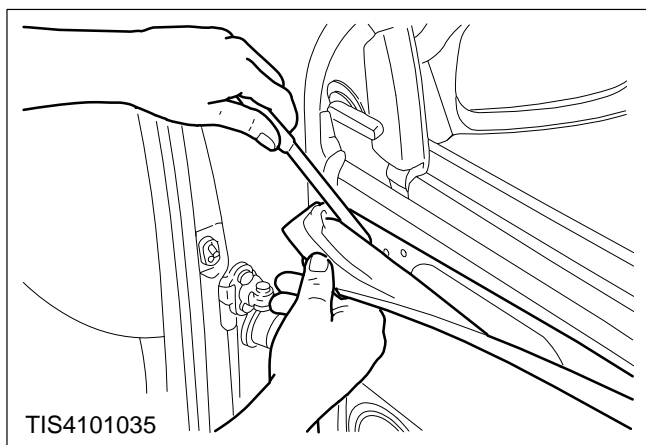


**Lock Assembly – Front Door – Remove and Install (41 351 0)****Remove**

- 1. Disconnect the battery negative lead.**
- 2. Remove the door trim panel (refer to Operation Number 43 705 0).**

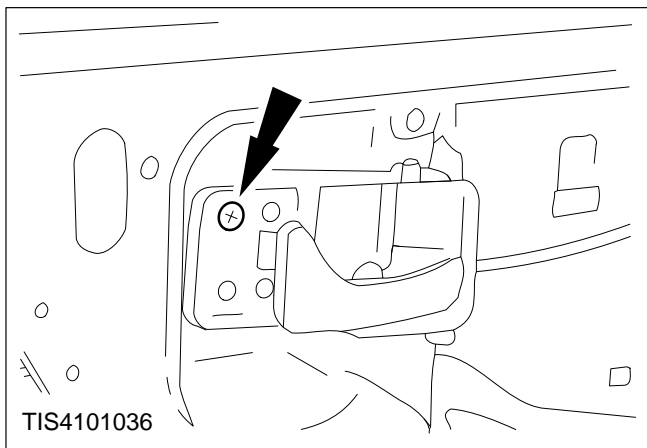


**⚠ CAUTION:** Do not touch adhesive surfaces as re-bonding will be impaired.

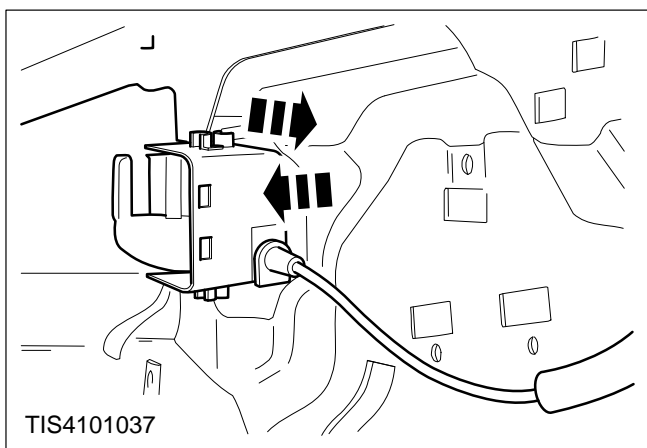
- 3. Locally peel back the door insulation material.**

Using a plastic knife, (disposable cutlery) cut through the Butyl strip to enable the foam insulator to be peeled back for access. DO NOT attempt to peel the insulation from the door without cutting the butyl.

- 4. Remove the door window glass (refer to Operation Number 42 314 0).**

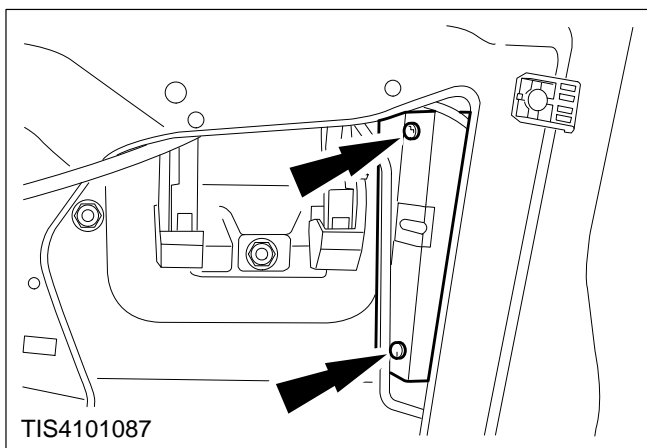


5. Detach the remote control handle (one retaining screw).

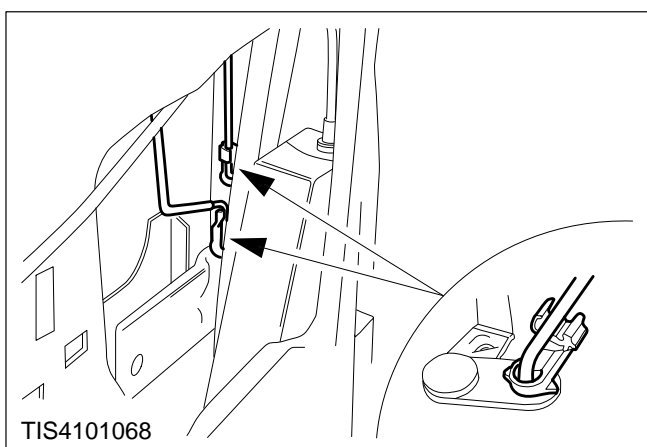


6. Detach the remote control handle (Cont'd).

Slide back off the locators, then ease out from the door panel.

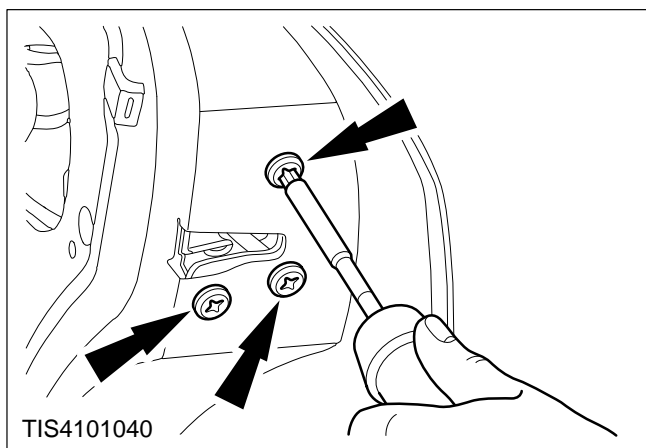


7. Remove the barrel lock shield (two screws).

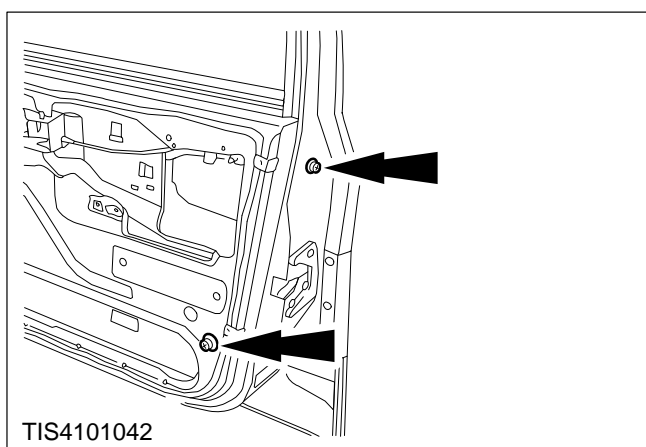


8. Disconnect the door handle and barrel actuating rods.

Prise open the plastic clips at the lock levers and pull out the rods.

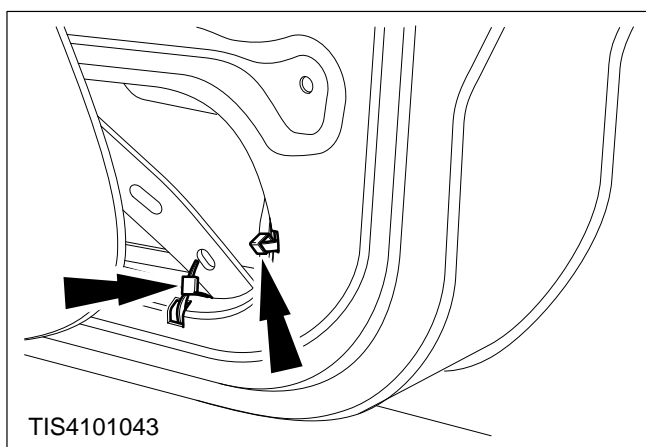


**9. Remove the three lock retaining screws.**

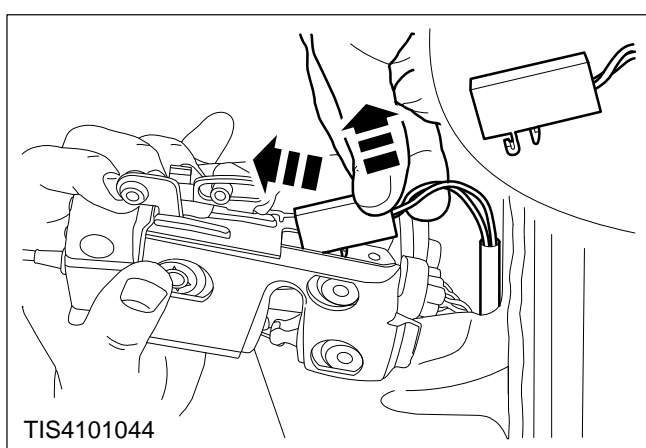


**10. Displace the door window guide channel for access.**

Two screws.

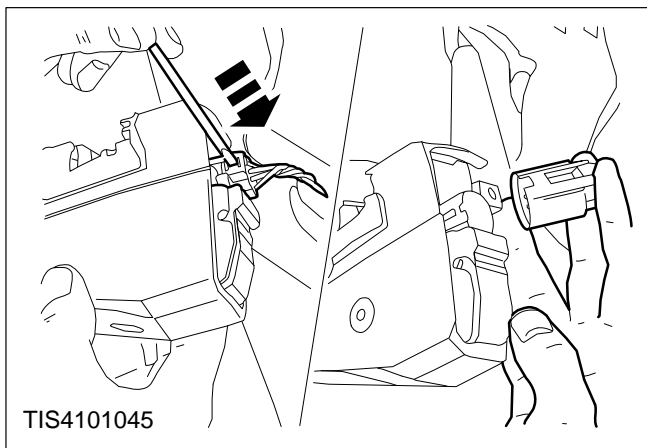


**11. Unclip the two lock harness cable ties to allow cable movement.**



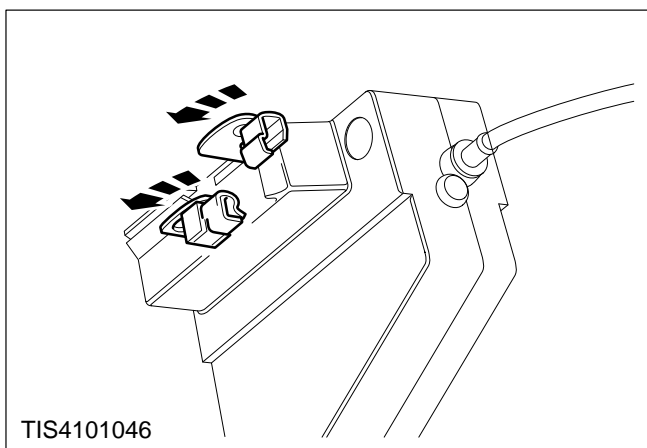
**12. Remove the door lock.**

- Ease the lock from the door and disconnect the door ajar switch.
- Push the switch up and tilt.



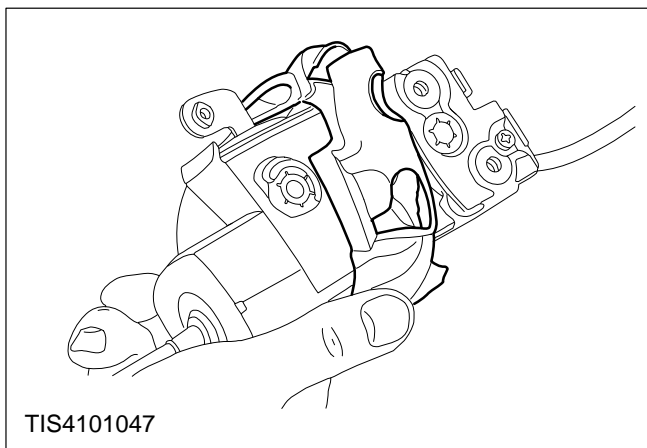
**13. Remove the door lock (continued).**

Disconnect the lock motor loom multiplug.



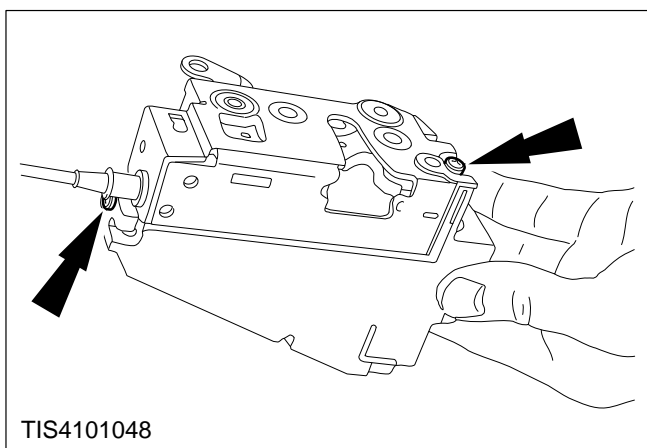
**14. Remove the lock actuating rod clips.**

Turn through 90 degrees and pull out.



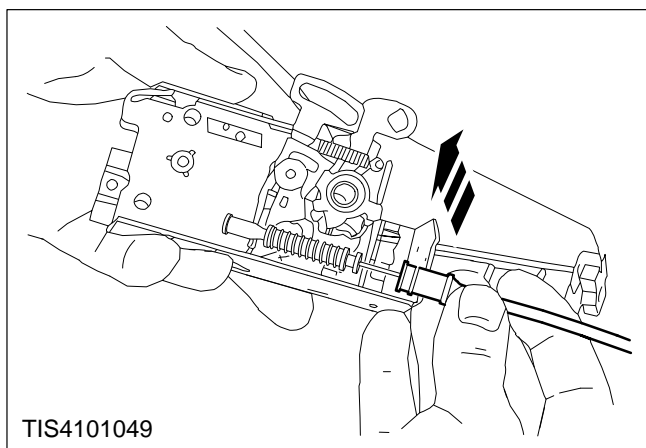
**Motor – Lock – Front Door – Remove (33 779 0)**

**15. Remove the lock protection cover.**



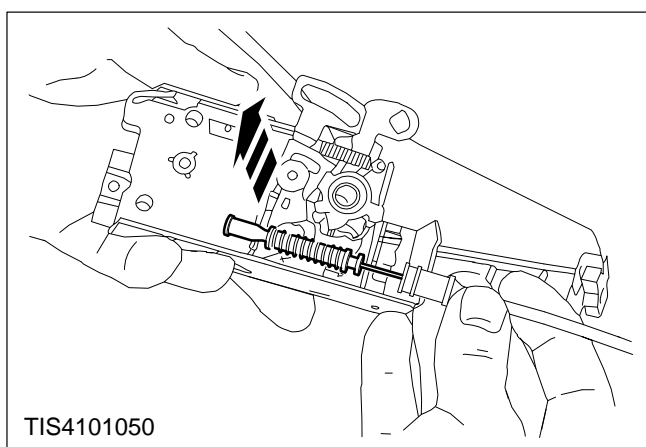
**16. Remove the lock motor**

Two screws.



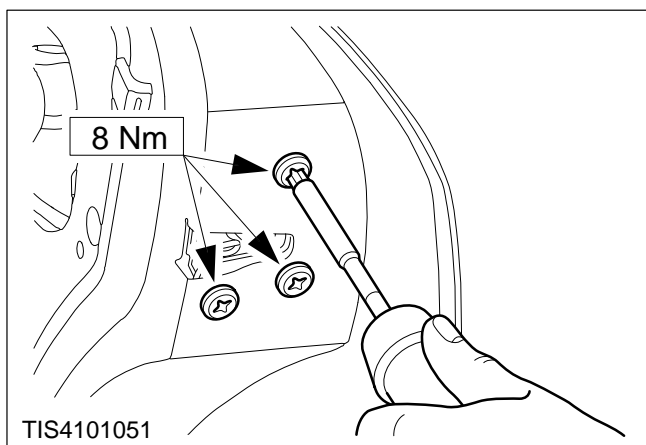
### 17. Remove the remote control cable.

Push out the outer cable from the lock bracket.



### 18. Remove the remote control cable (continued).

Slide the inner cable to the narrow section and pull out.



### Install

### 19. Refit the components in reverse order.

Motor – Lock – Front Door – Install  
(33 779 0)