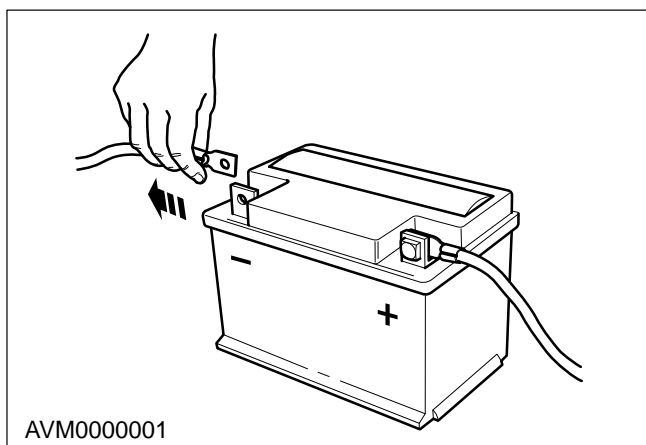
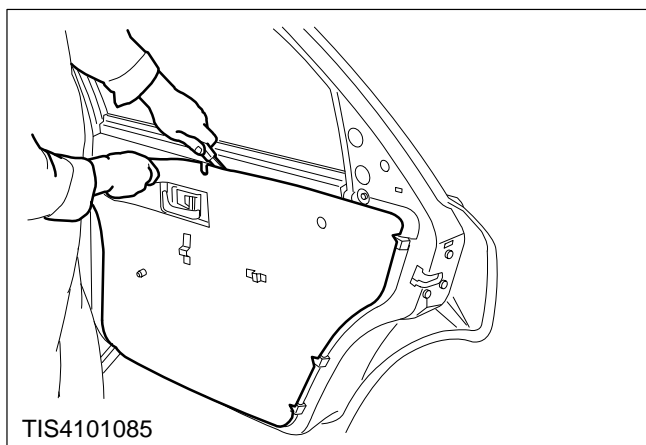


Lock Assembly – Rear Door – Remove and Install (41 352 0)



Remove

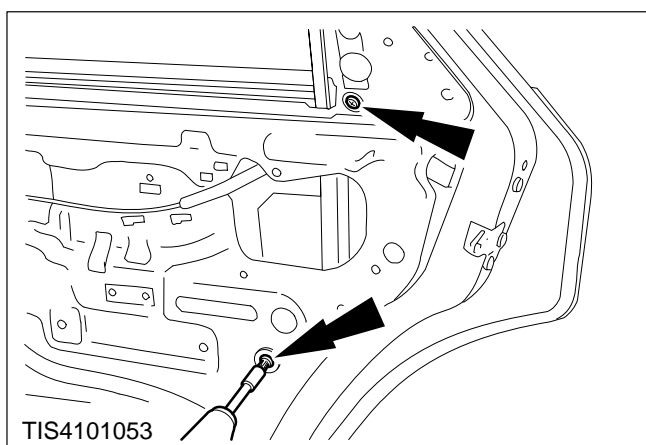
1. **Disconnect the battery negative lead.**
2. **Remove the door trim panel (refer to Operation Number 43 706 0).**



⚠ CAUTION: Do not touch adhesive surfaces as re-bonding will be impaired.

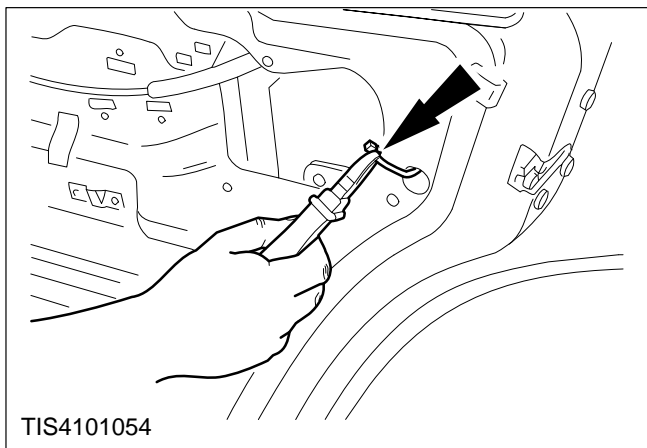
3. **Locally peel back the door insulation material.**

Using a plastic knife, (disposable cutlery) cut through the Butyl strip to enable the foam insulator to be peeled back for access. **DO NOT** attempt to peel the insulation from the door without cutting the butyl.

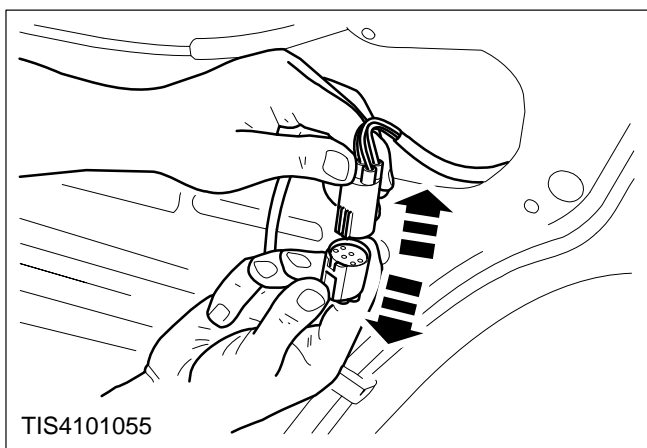


4. **Remove the lower window guide channel.**

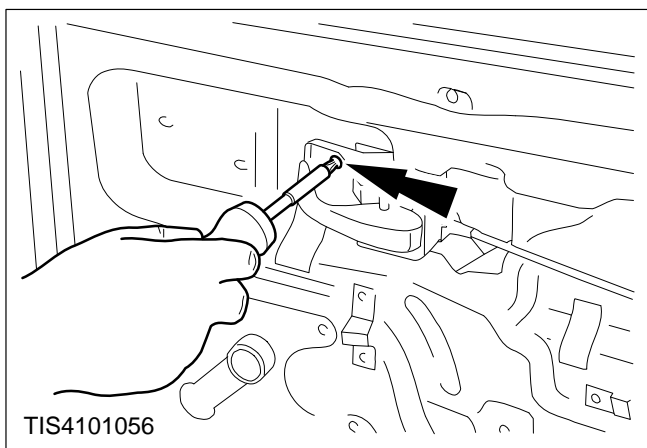
Two screws.



5. Unclip the lock harness from the door.

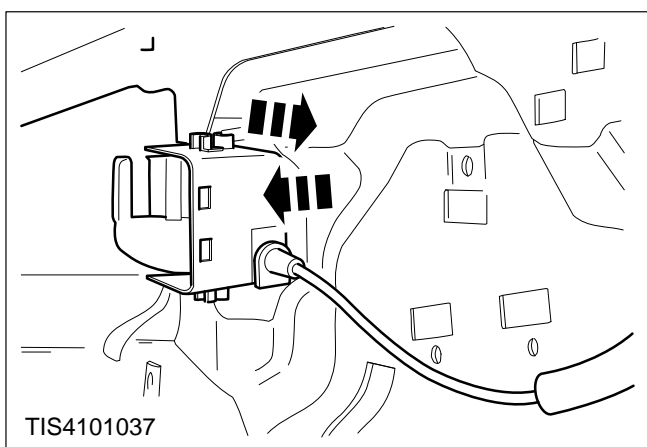


6. Disconnect the lock harness multiplug.



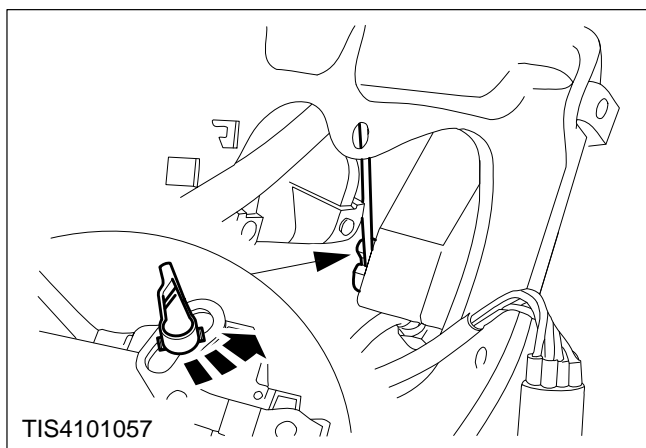
7. Detach the remote control handle.

One retaining screw.



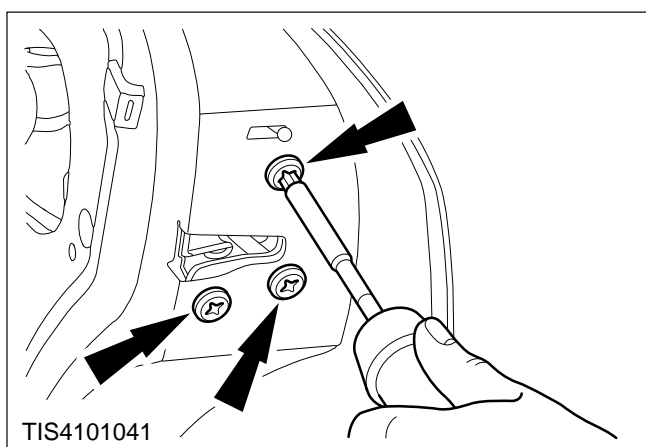
8. Detach the remote control handle (Cont'd).

Slide back off the locators, then ease out from the door panel.



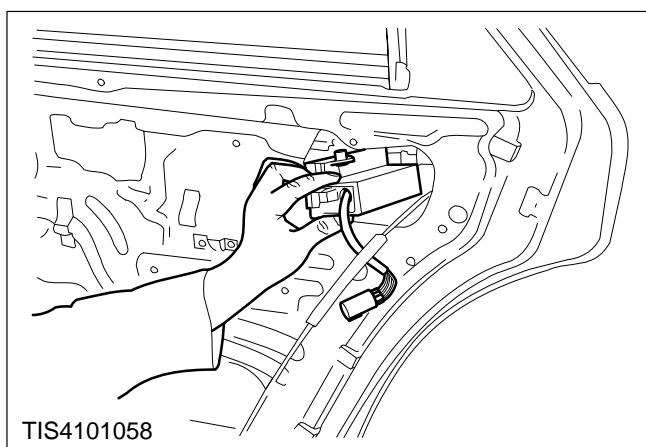
9. Disconnect the door handle actuating rod.

Prise the rod from the plastic clip at the lock lever and pull out.

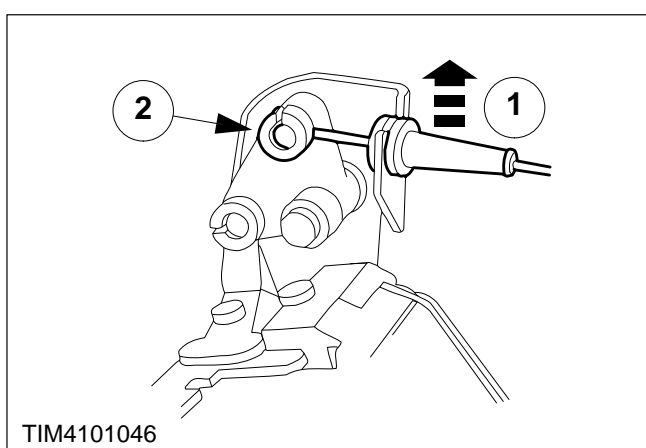


10. Remove the door lock.

Three screws.



11. Remove the door lock (continued).

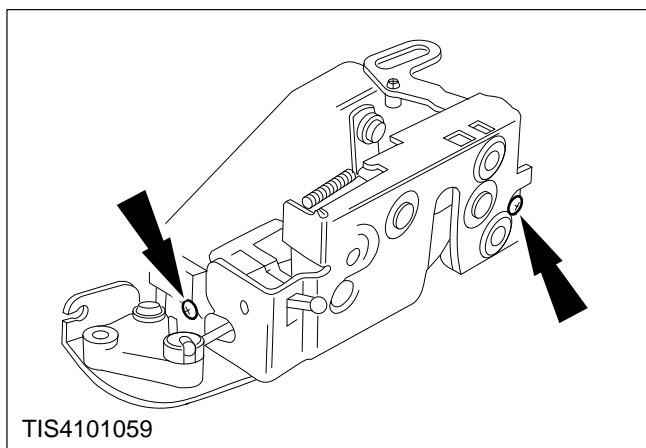


12. Remove the remote control cable.

- Peel back the lock protection cover.

1 Push out the cable from the lock bracket.

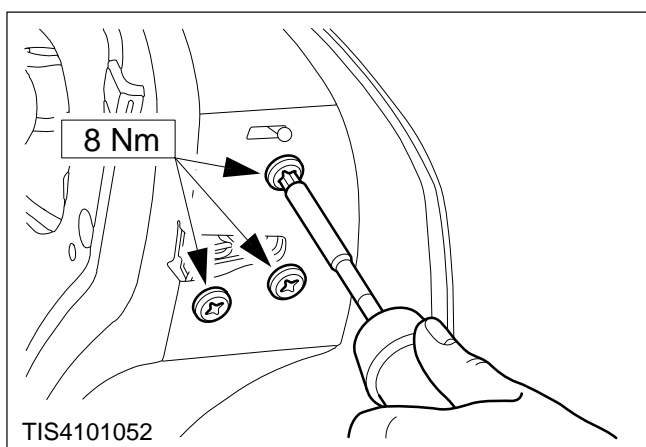
2 Align the inner cable with the groove in the bell crank and lift out.



Motor – Lock – Rear Door – Remove
(33 780 0)

13. Remove the lock motor.

Two screws.



Install

14. Refit the components in reverse order.

Motor – Lock – Rear Door– Install (33
780 0)