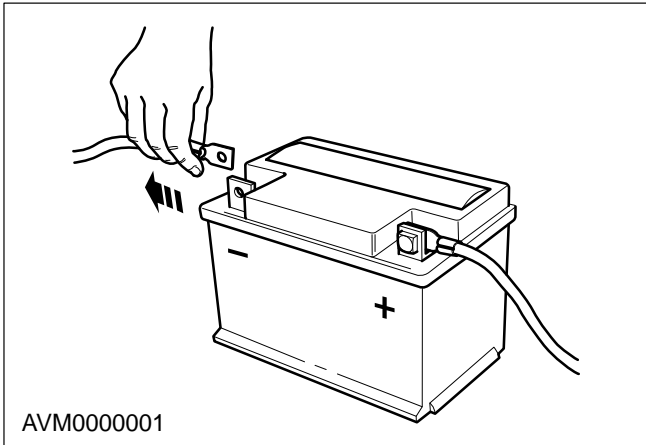
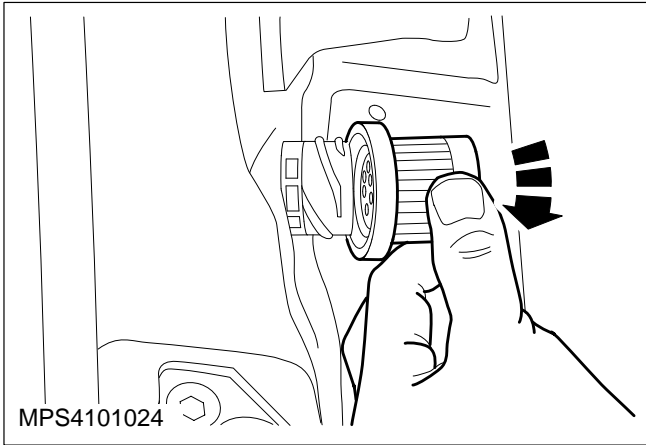


Door Assembly – Rear – Remove and Install (41 317 0)



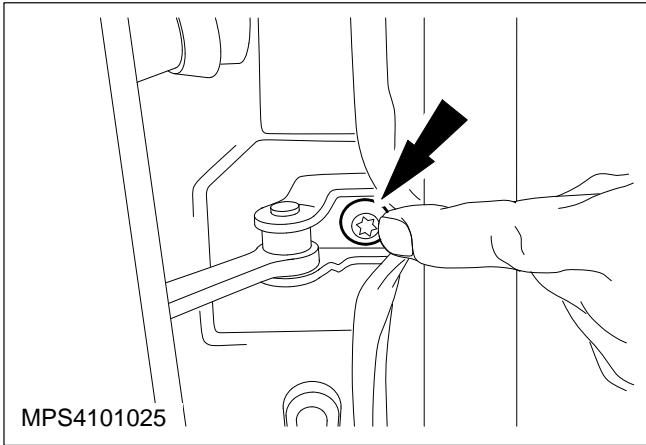
Remove

- 1. Disconnect the battery negative lead.**



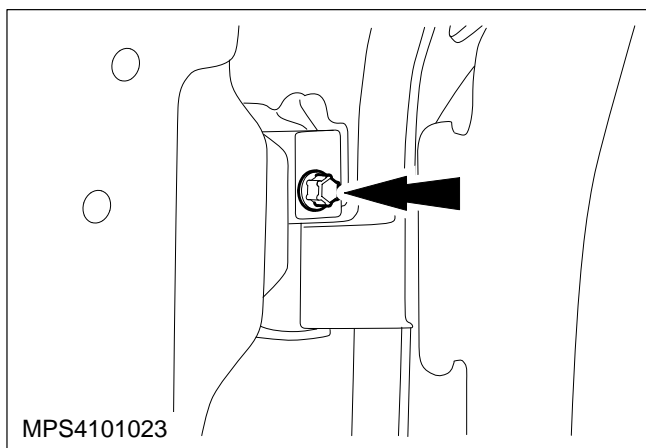
- 2. Disconnect the door harness connector.**

Twist to release and pull out.



- 3. Disconnect the door check strap.**

Remove the torx retaining screw.



4. Remove the two hinge pin torx bolts.

5. Remove the door.

With the assistance of another technician, open the door to approximately 60° and lift the door off from the hinges.

Install

6. Refit the components in reverse order.