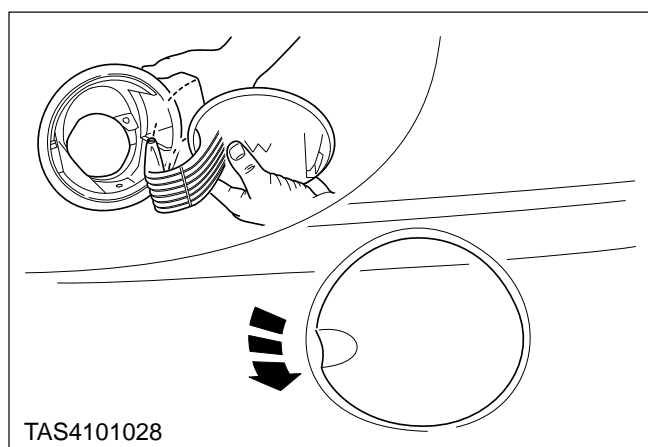


## Flap – Fuel Filler – Remove and Install (41 816 0)



### Remove

#### 1. Open the fuel filler flap.

**⚠ CAUTION:** The fuel filler flap is a simple push fit into the filler housing with both components being manufactured in plastic. The flap should be very carefully eased out of the locating holes - any excess force is likely to cause damage and very possibly breakage of the flap and housing.

#### 2. Remove the flap.

Prise out the fuel filler flap from the filler housing.

### Install

#### 3. Fit the filler flap.

Ease the flap into the locating holes in the housing.