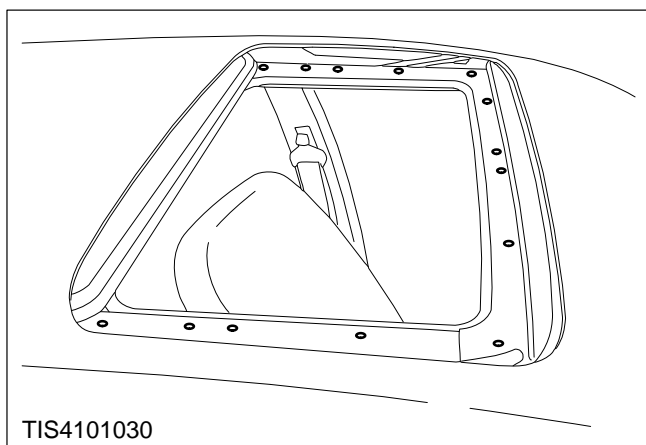


## Sliding Roof Assembly – Remove and Install (41 114 0)



### Remove

- 1. Fully open the sliding roof and apply protective tape to the paintwork around the sliding roof tray.**
  - 2. Remove the sliding roof retaining screws.**  
Fourteen screws.
  - 3. Remove the sliding roof assembly.**
    - Fully close the sliding roof assembly.
- NOTE:** For vehicles fitted with a manually operated sliding roof it will be necessary to remove the winder handle (one screw).
- With the assistance of another technician, carefully push up the front of the assembly and guide the sliding roof forwards.

### Install

- 4. Refit the components in reverse order.**  
Carefully ensure the sliding roof is properly seated and the drive spline fully engaged on the motor before tightening the retaining screws.