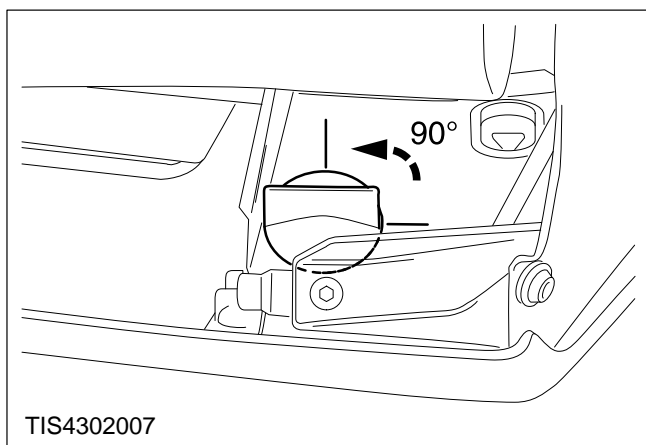
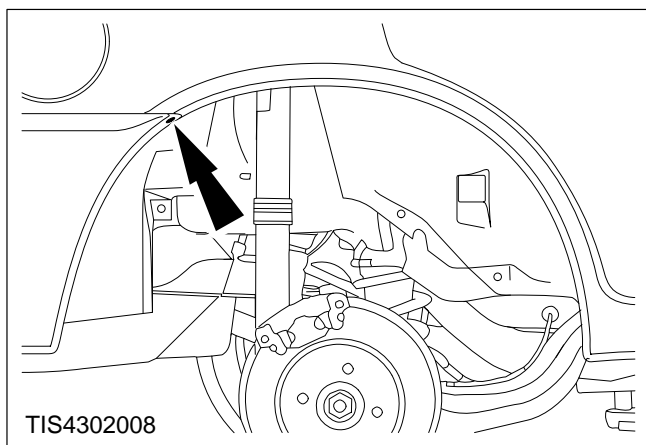


Bumper and Bracket Assembly – Rear – Remove and Install (43 443 0)**Remove**

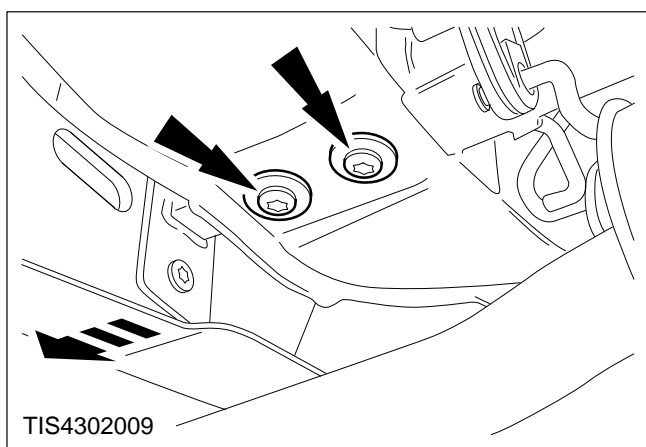
- 1. Raise the vehicle.**
- 2. Remove the inner side fixings.**
Turn through 90°; one each side.

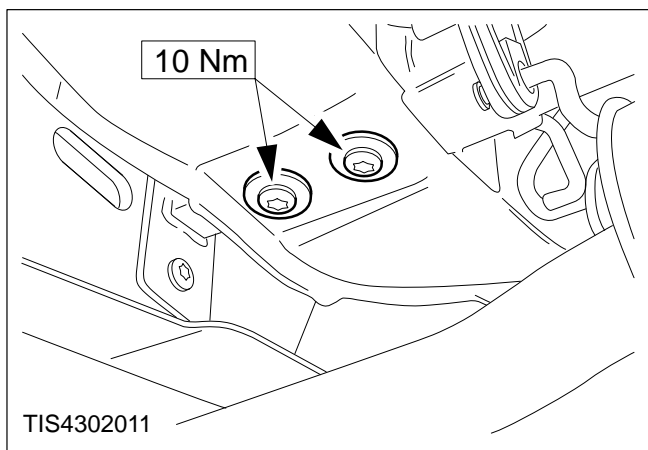


- 3. Remove the outer side fixing screw.**
One on each side.



- 4. Remove the rear bumper.**
Remove the bolts then slide the bumper assembly rearwards.





Install

5. Refit the components in reverse order.