

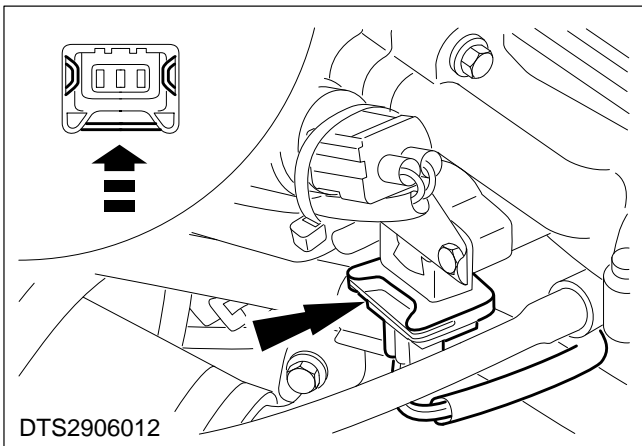
Sensor – Throttle Position – Remove and Install (23 325 0)

Remove

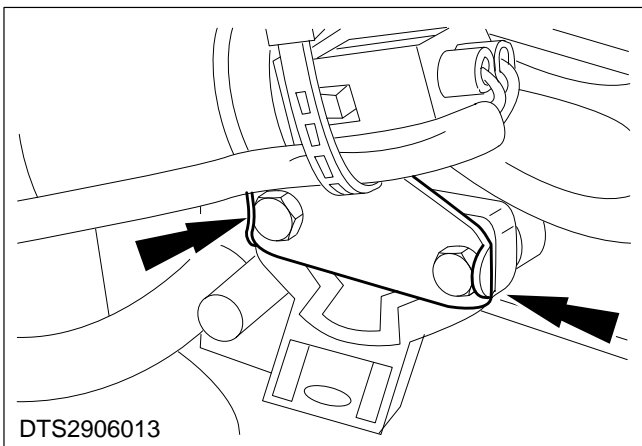
⚠ CAUTION: Disconnect the battery negative lead.

⚠ CAUTION: When disconnecting multiplugs do not pull on the wiring; pull on the multiplug body.

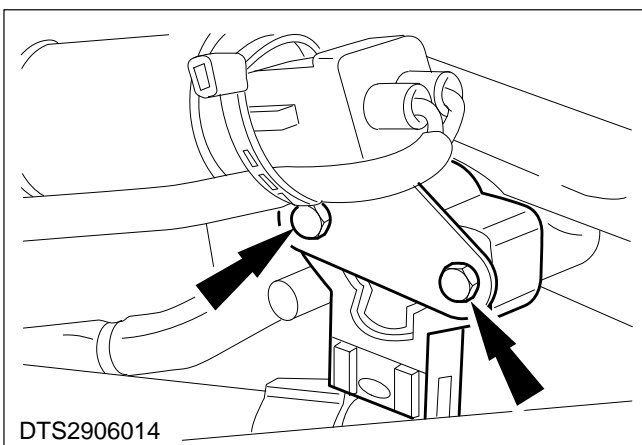
1. Disconnect the throttle position sensor multiplug.



2. Unlock the throttle position sensor retaining bolt locking tags.



3. Remove the throttle position sensor (two bolts).



Install

4. Refit the components in reverse order.

Ensure that the throttle position sensor retaining bolts are locked in position using the locking tags.