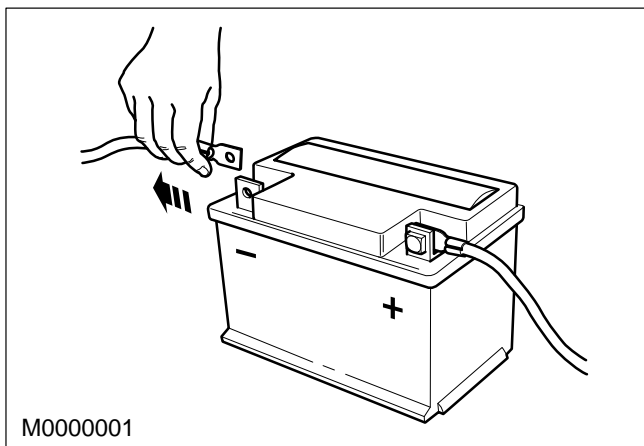
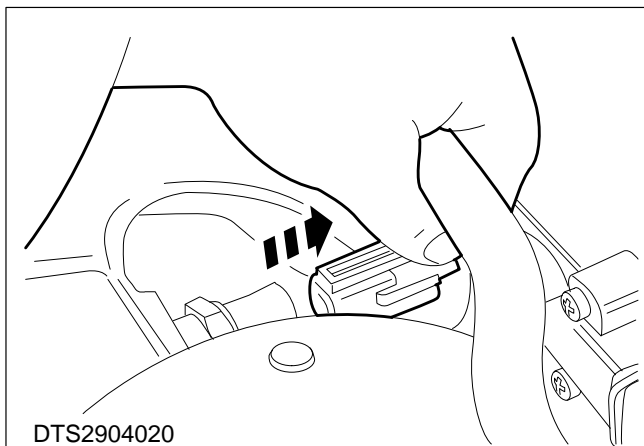


## Valve – Exhaust Gas Recirculation – Remove and Install (23 312 0)

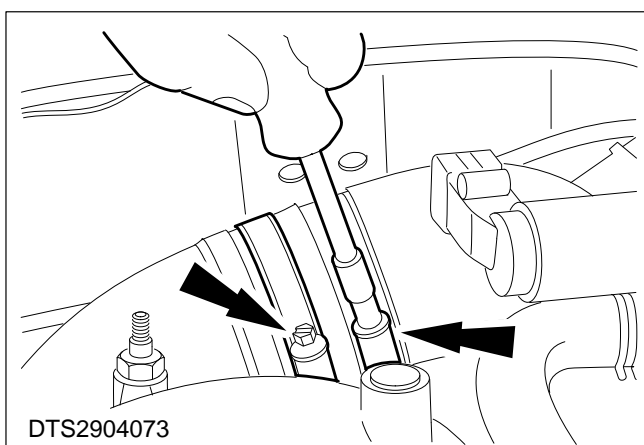


### Remove

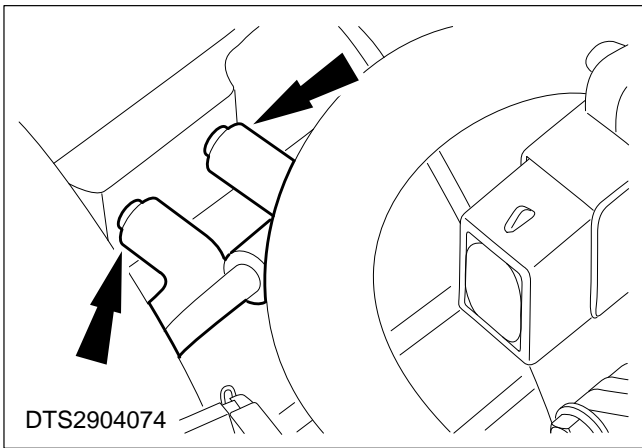
1. Disconnect the battery earth lead.
2. Remove the VIS actuator (refer to Operation Number 23 400 0).



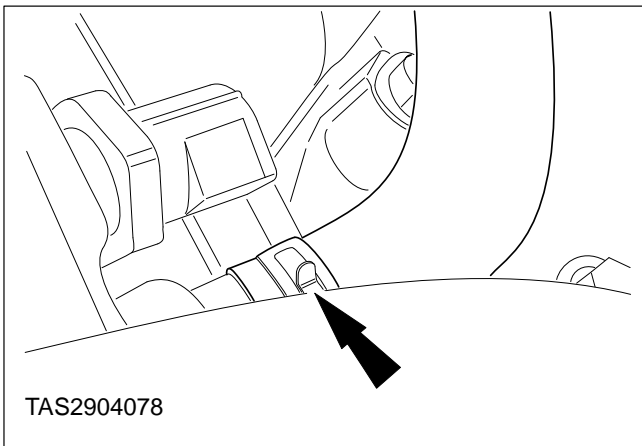
3. Disconnect the IAT sensor multiplug.



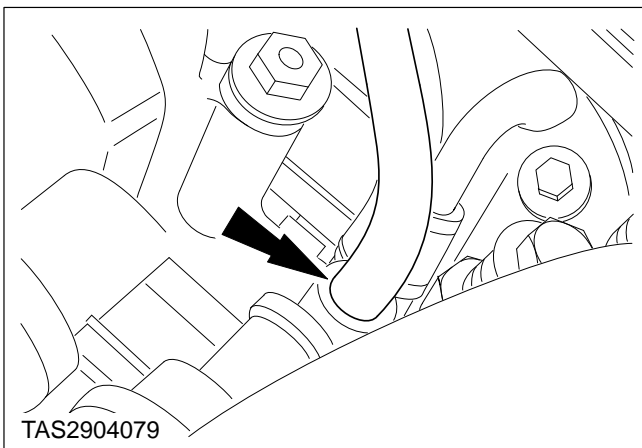
4. Slacken the connecting sleeve clips.



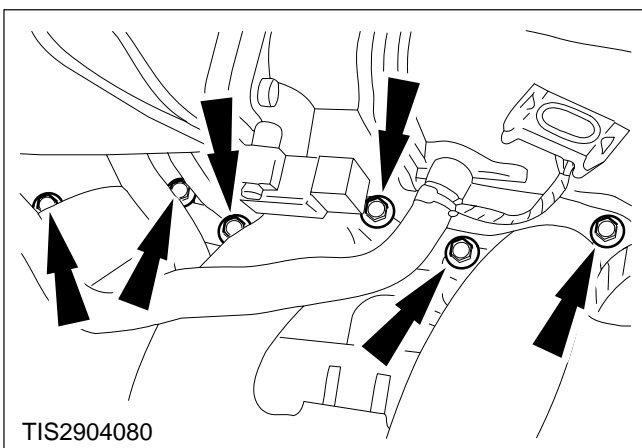
**5. Disconnect the vacuum pipes.**



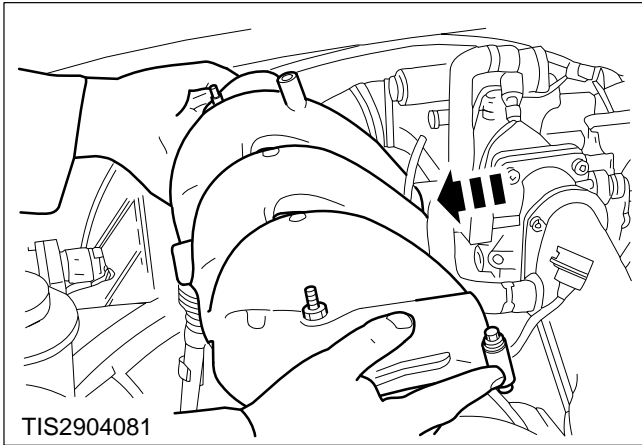
**6. Disconnect the breather pipe.**



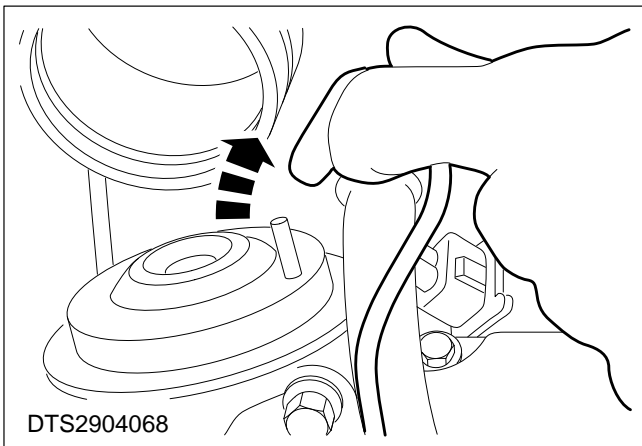
**7. Disconnect the vacuum pipe.**



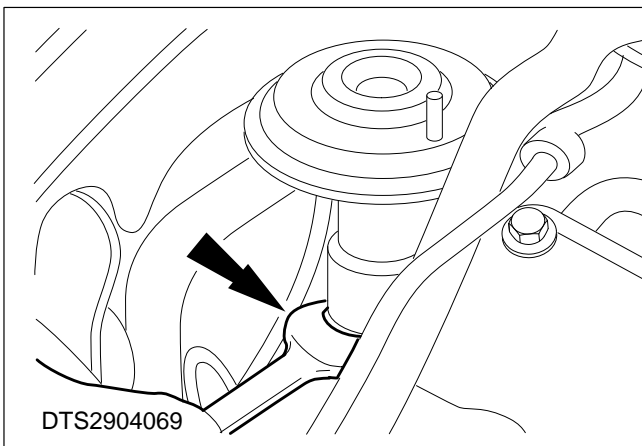
**8. Remove the plenum bolts.**



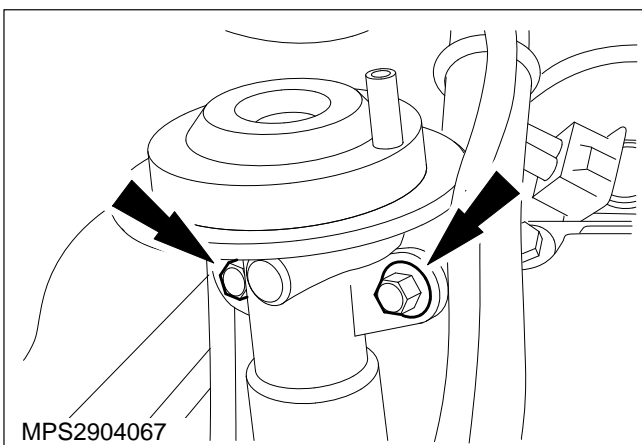
**9. Lift the plenum section off the engine.**



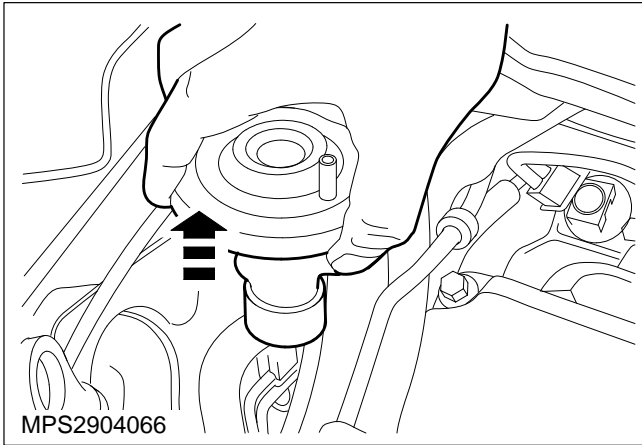
**10. Disconnect the vacuum pipe.**



**11. Undo the pipe union.**



**12. Remove the fixing bolts.**



**13. Lift the valve out of the vehicle.**

Install

**14. Refit the components in reverse order.**