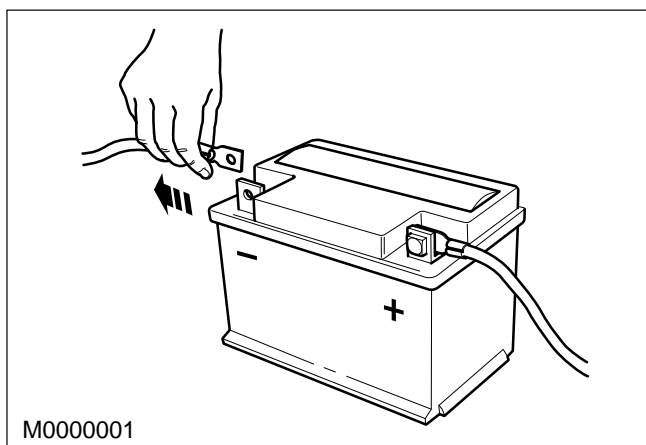
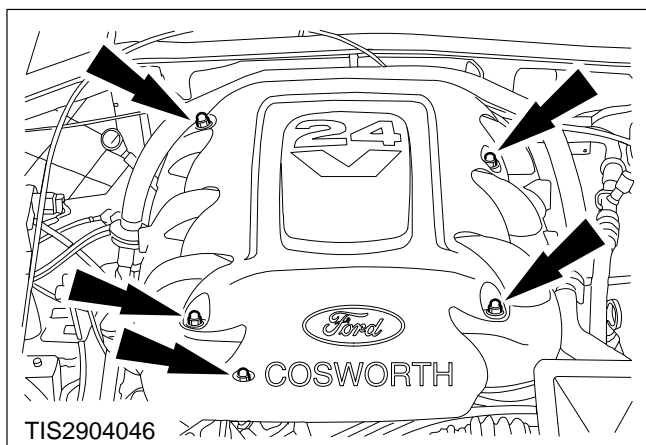


## Valve – Idle Air Control – Remove and Install (23 323 0)

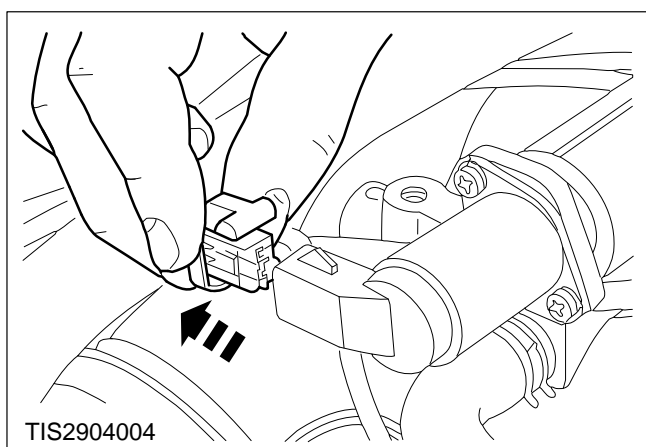


Remove

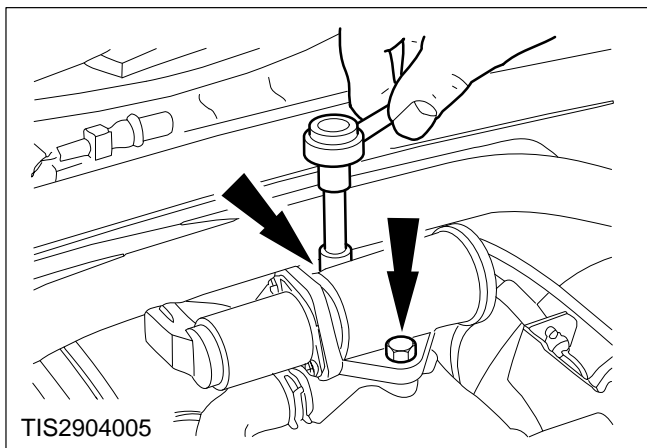
1. Disconnect the battery earth lead.



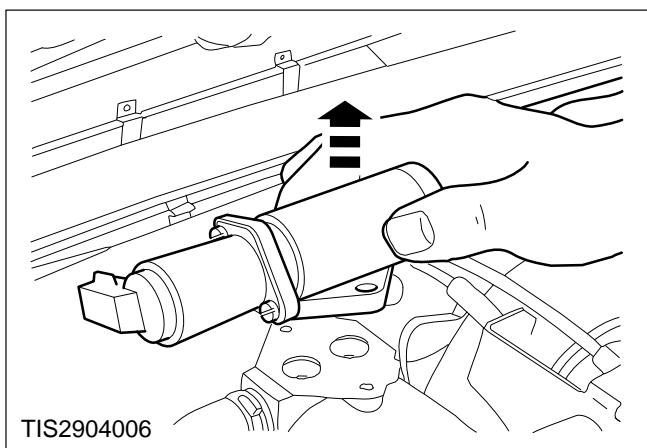
2. Remove the engine cover.



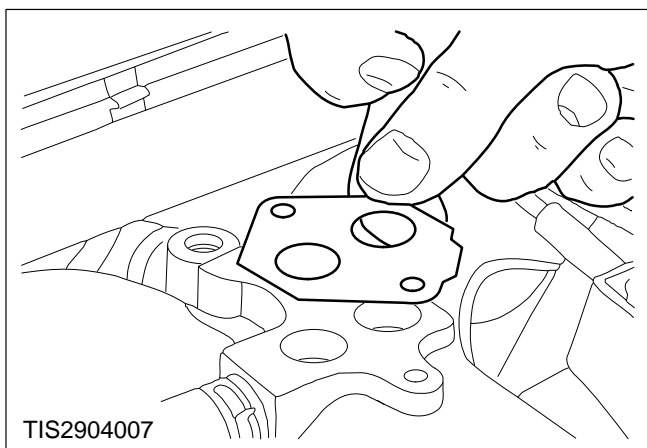
3. Disconnect the multiplug.



**4. Remove the retaining bolts.**



**5. Lift the valve off the plenum.**



**6. Remove the gasket.**

**Install**

**7. Refit the components in reverse order.**

Use a new gasket on re-assembly.