

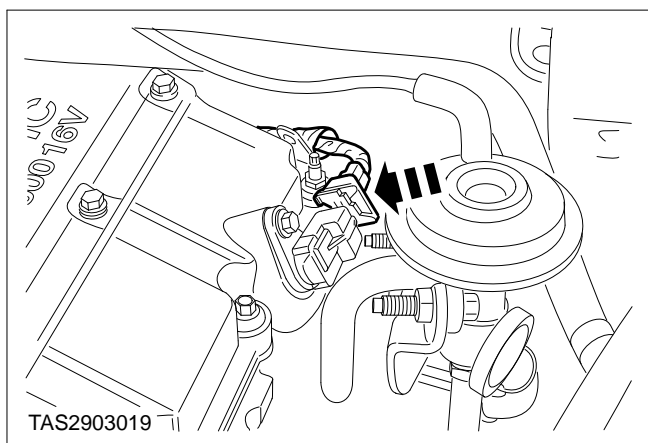
## Sensor – Camshaft Position – Remove and Install (29 232 0)

### Remove

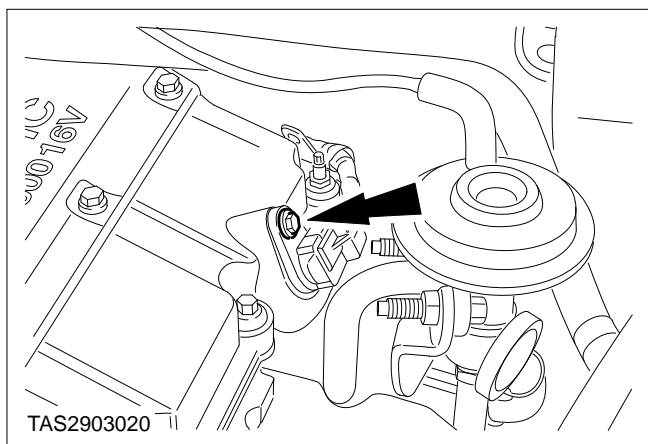
**⚠ CAUTION:** Disconnect the battery negative lead.

**⚠ CAUTION:** When disconnecting the multiplug do not pull on the wiring; pull on the multiplug body.

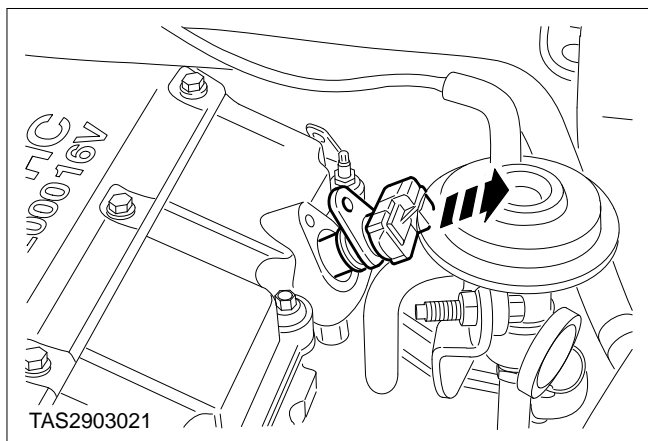
**1. Disconnect the CMP sensor multiplug.**



**2. Unscrew the CMP sensor retaining bolt.**



**3. Remove the CMP sensor.**



Install

- 4. Refit the components in reverse order.**