

Sensor – Engine Coolant Temperature – Remove and Install (21 190 0)

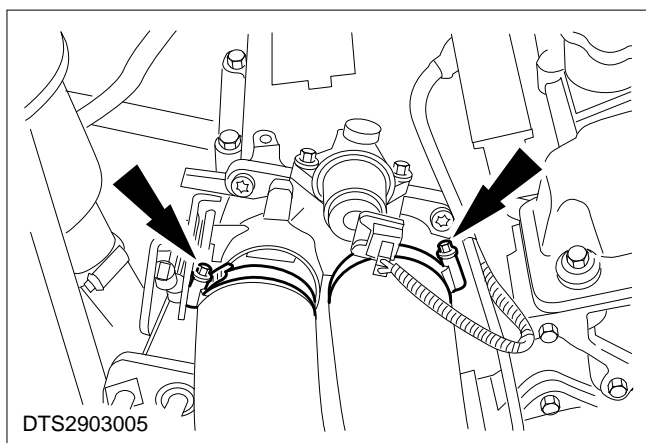
Remove

⚠ CAUTION: Disconnect the battery negative lead.

⚠ CAUTION: When disconnecting the multiplugs contained in this operation, do not pull on the wiring; pull on the multiplug body.

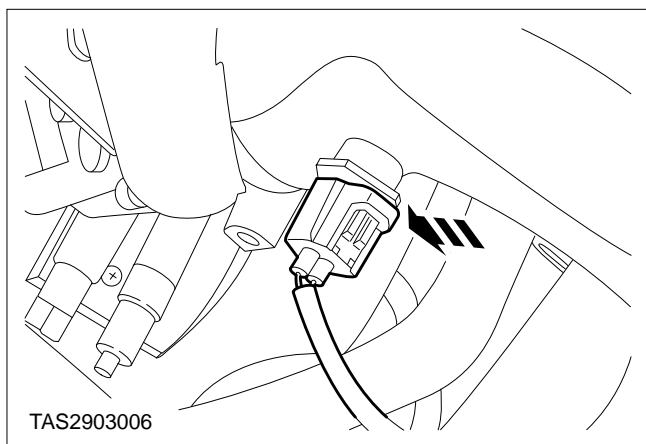
1. Drain the cooling system (refer to Operation No. 24 122 0).

2. Slacken the intake hose clips (2,0 DOHC shown).

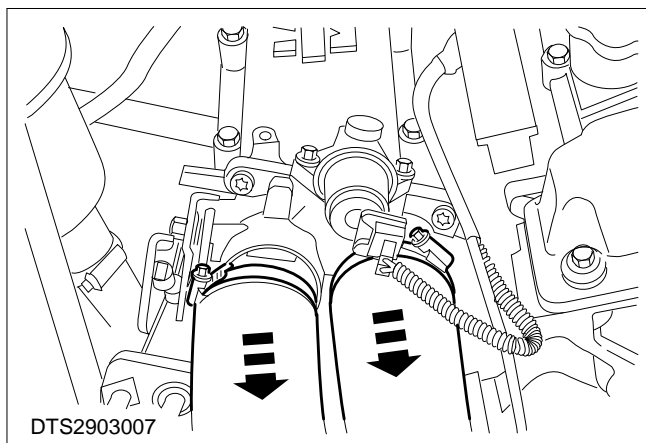


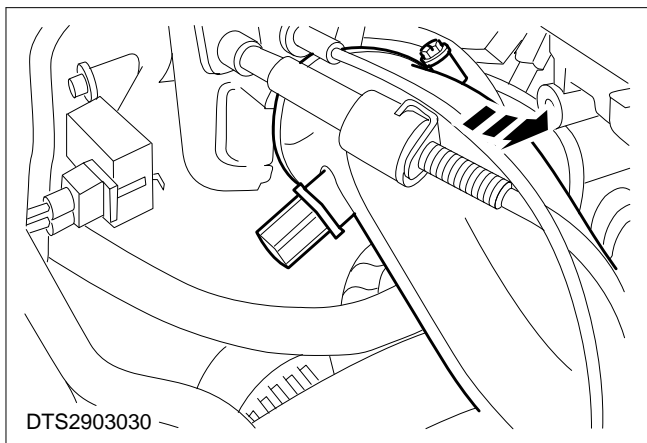
3. Disconnect the IAT sensor multiplug (2,3 DOHC shown).

Depress the retainer and disconnect the multiplug.

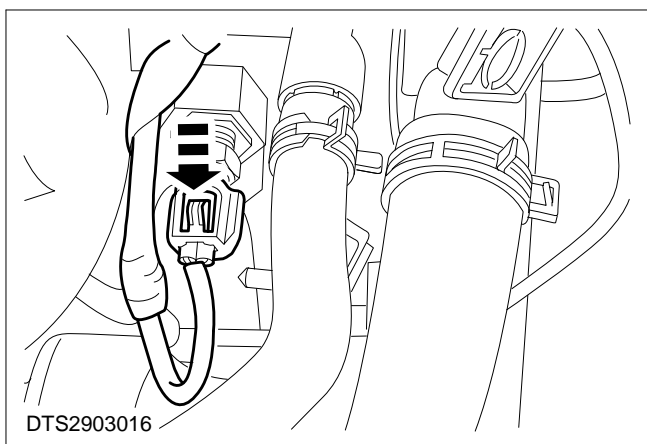


4. Detach the intake hoses 2,0 DOHC.



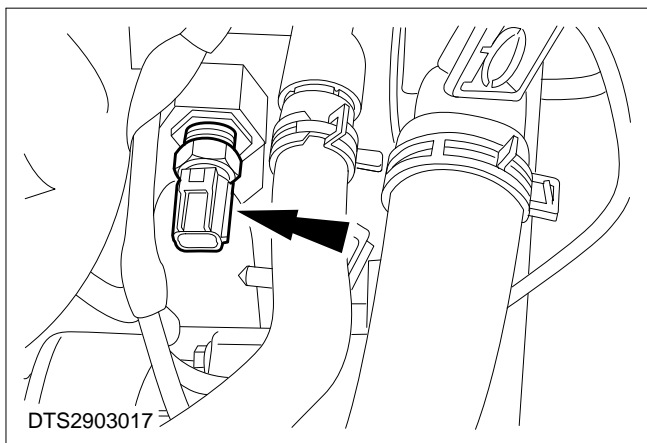


5. Detach the intake hose 2,3 DOHC.

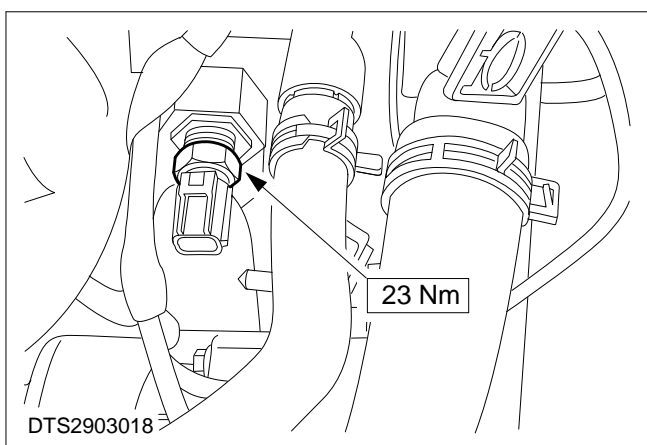


6. Disconnect the ECT sensor multiplug (2,3 DOHC shown).

Depress the retainer and disconnect the multiplug.



7. Unscrew and remove the ECT sensor (2,3 DOHC shown).



Install

8. Refit the components in reverse order (2,3 DOHC shown).