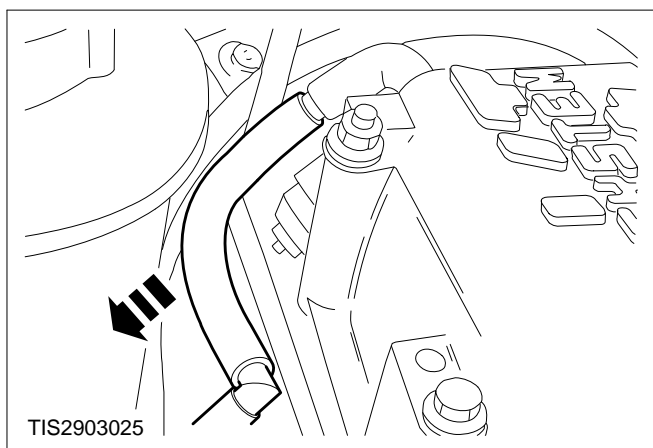


## Actuator – Variable Inlet System (2.0 DOHC) – Remove and Install (23 400 0)

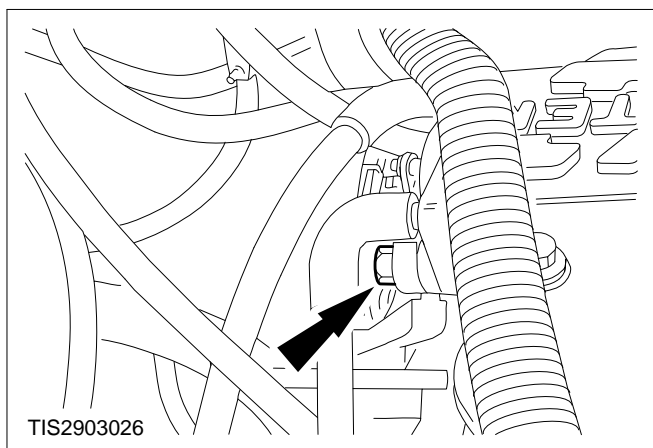
Remove

**⚠ CAUTION:** Disconnect the battery negative lead.

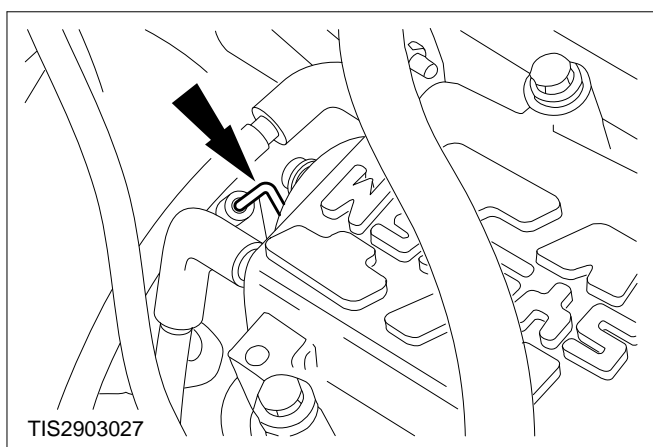
**1. Disconnect the vacuum hose.**

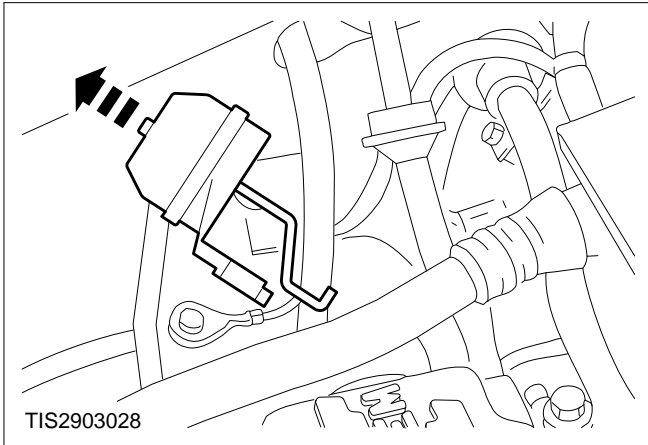


**2. Unscrew the VIS actuator retaining bolt.**



**3. Disconnect the VIS actuator linkage.**





**4. Remove the VIS actuator.**

Install

**5. Refit the components in reverse order.**