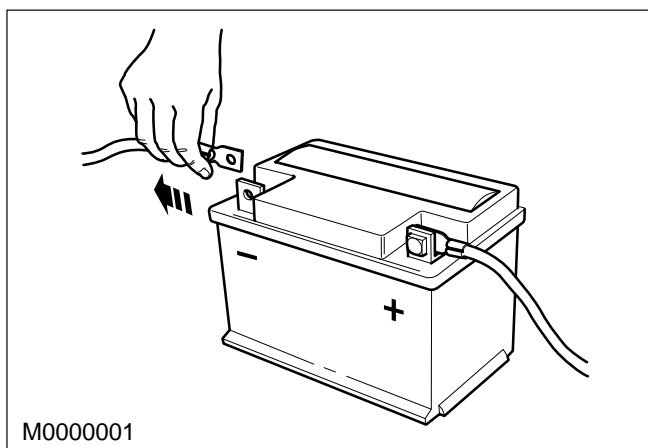
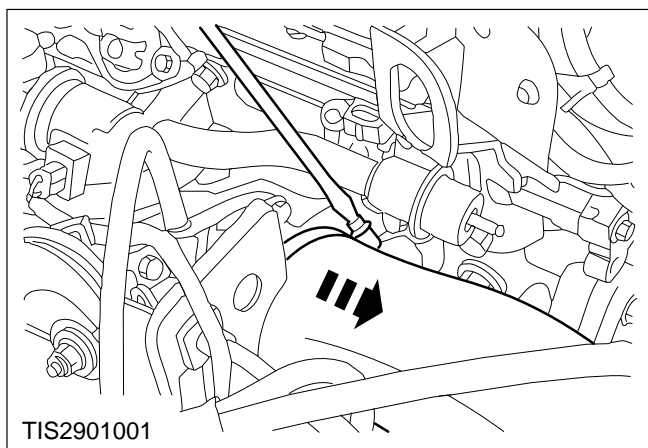


Sensor – Engine Coolant Temperature – Remove and Install (21 190 0)

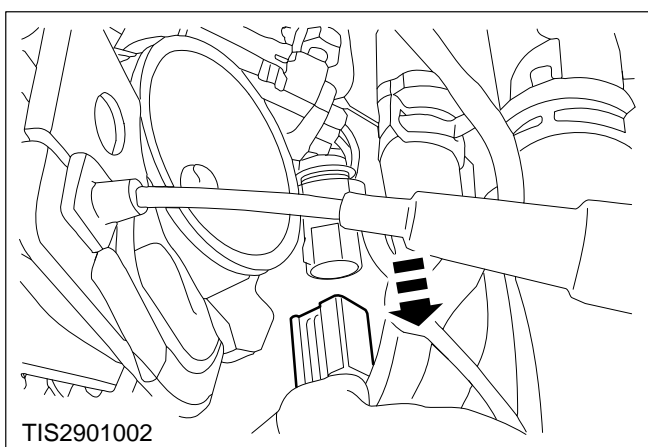


Remove

1. Disconnect the battery earth lead.
2. Drain the cooling system (refer to operation number 24 122 0).

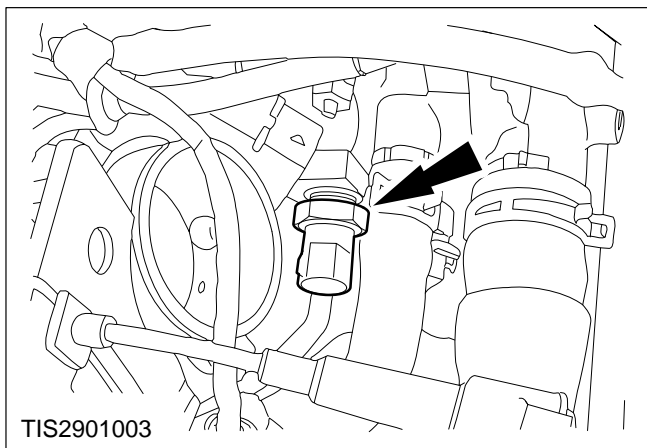


3. Slacken the clip and disconnect the intake hose.

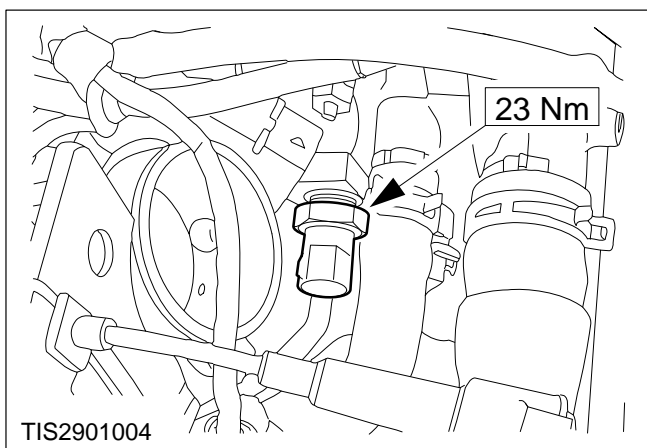


⚠ CAUTION: Do not pull on the wiring: pull on the multiplug body.

4. Disconnect the ECT sensor multiplug.



5. Unscrew and remove the ECT sensor.



Install

6. Refit the components in reverse order.