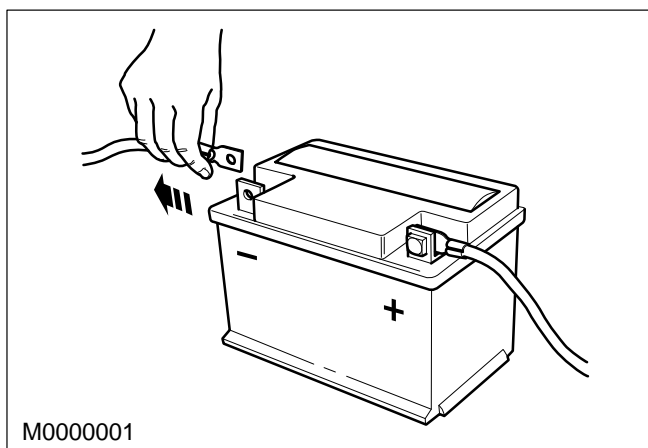
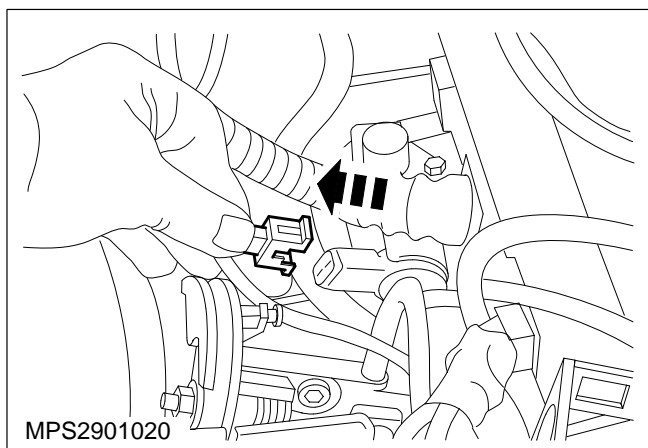


Valve – Idle Air Control – Remove and Install (23 323 0)



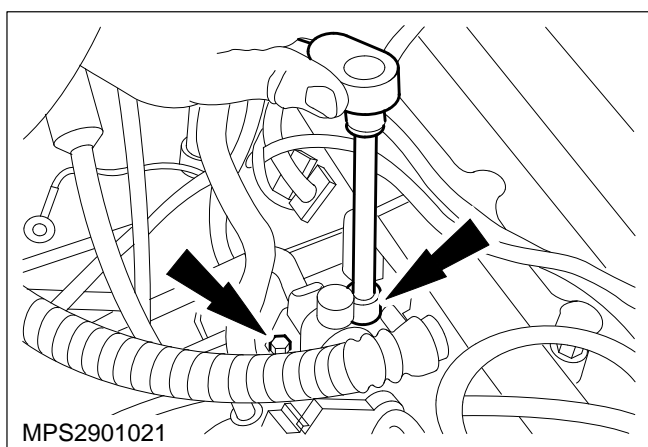
Remove

1. Disconnect the battery earth lead.

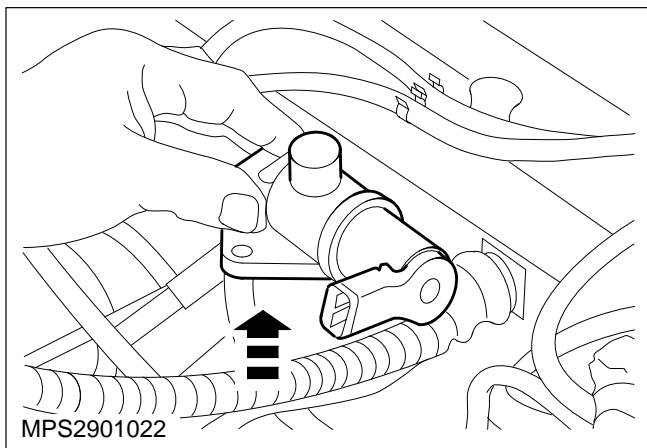


⚠ CAUTION: Do not pull on the wiring; pull on the multiplug body.

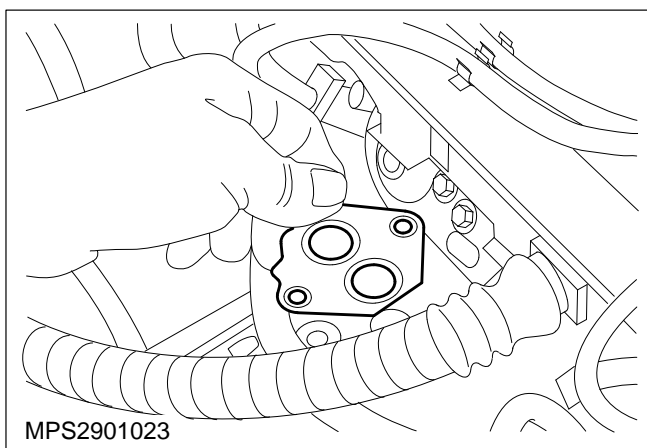
2. Disconnect the IAC valve multiplug.



3. Unscrew the IAC valve retaining bolts.



4. Remove the IAC valve.



Install

5. Refit the components in reverse order.

Always use a new gasket; do not attempt to use the old one.