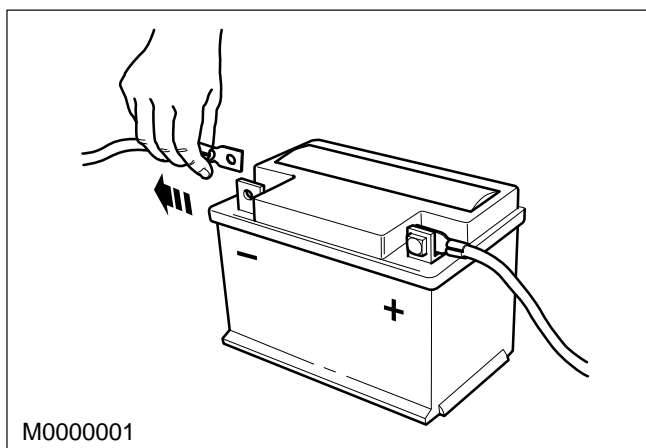
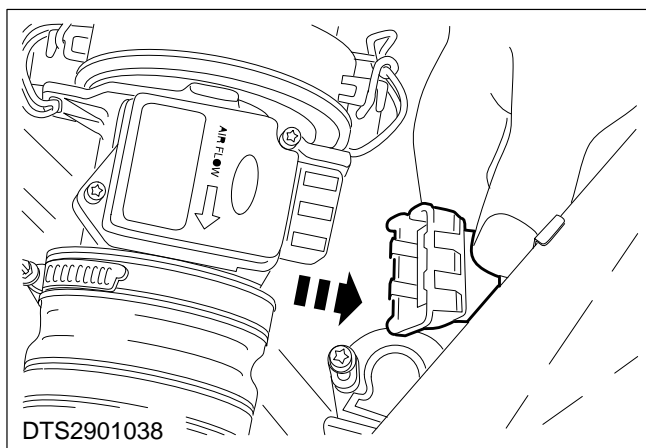


## Sensor – Mass Air Flow (DOHC Variants) – Remove and Install (29 226 0)



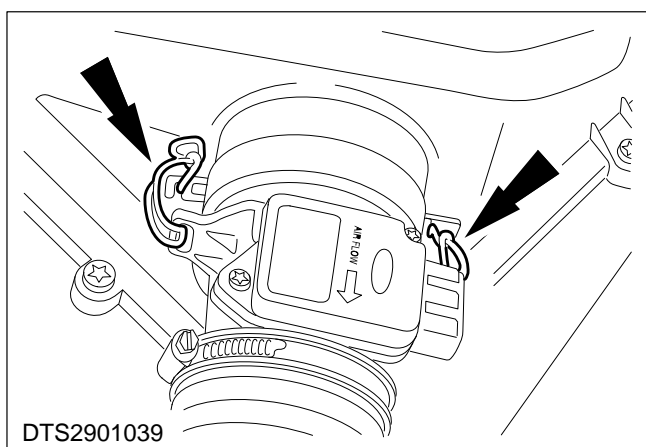
### Remove

1. Disconnect the battery earth lead.

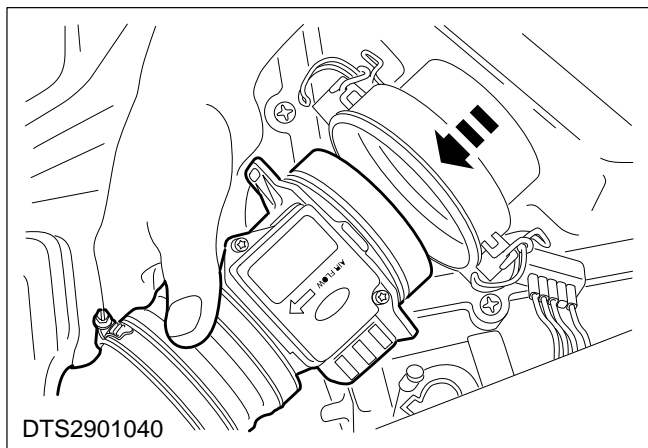


**⚠ CAUTION:** Do not pull on the wiring; pull on the multiplug body.

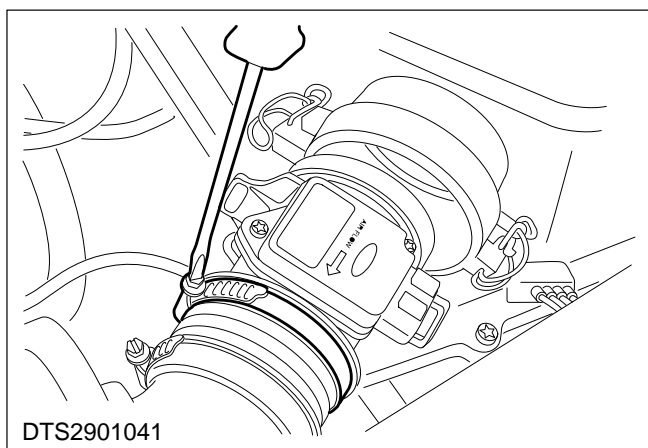
2. Disconnect the MAF sensor multiplug.



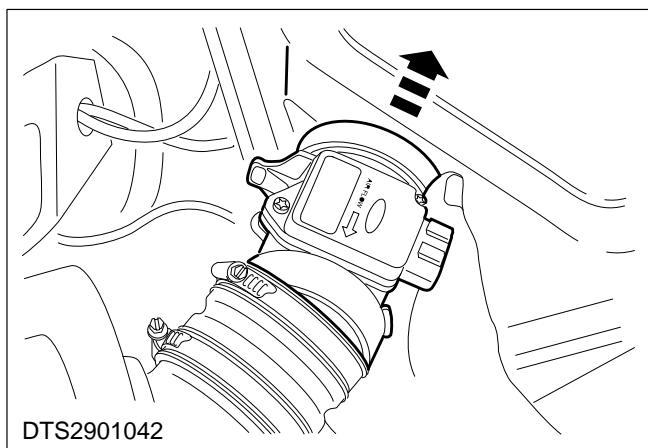
3. Release the MAF sensor retaining clips.



4. Disconnect the MAF sensor from the air cleaner housing.



5. Slacken the intake hose clip.



6. Remove the MAF sensor.

Install

7. Refit the components in reverse order.