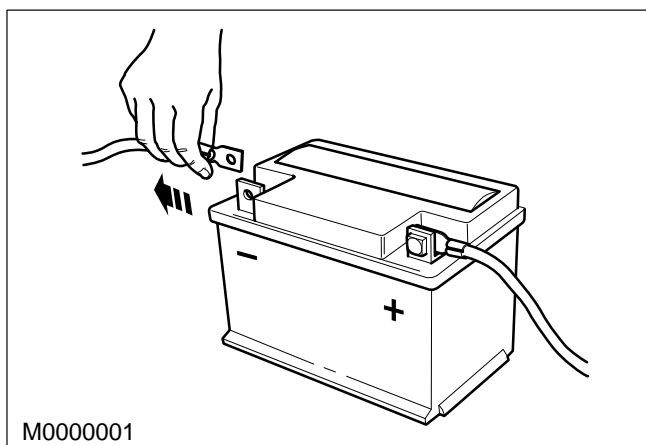
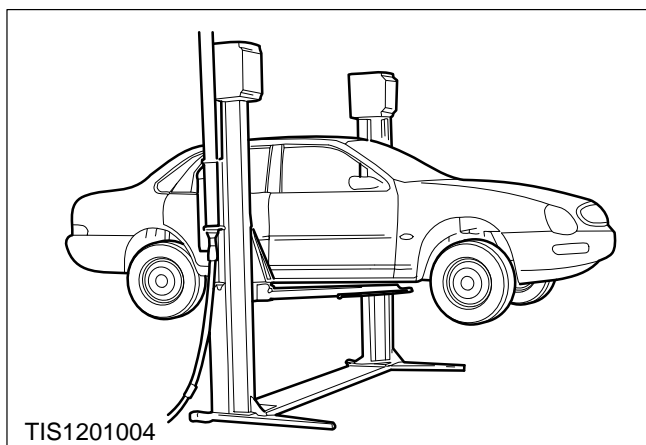


Sensor – Heated Oxygen (Post-Catalyst) (DOHC Variants) – Remove and Install (29 220 0)

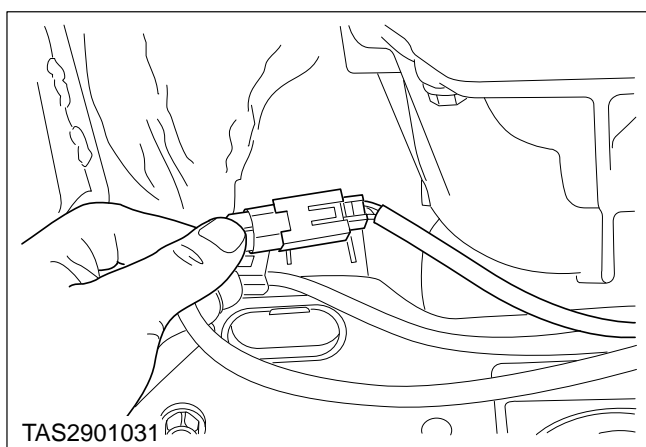


Remove

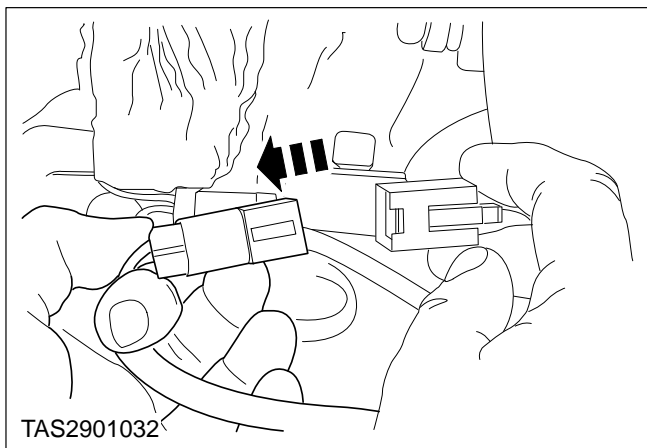
1. Disconnect the battery earth lead.



2. Raise the vehicle on a hoist.

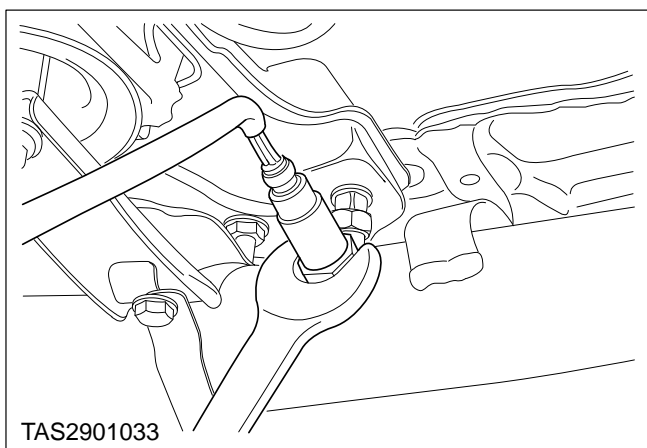


3. Unclip the HO2S multiplug.

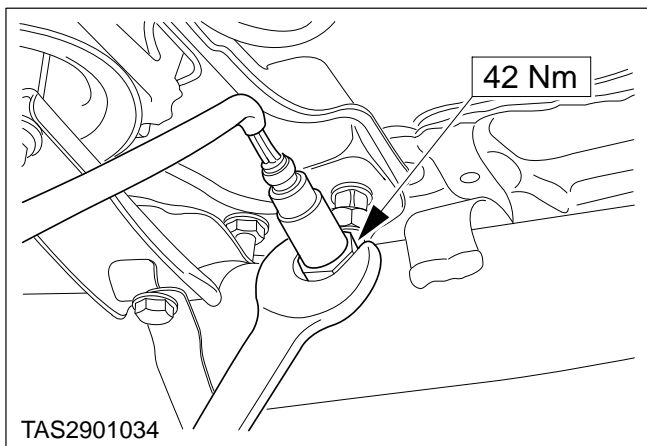


⚠ CAUTION: Do not pull on the wiring; pull on the multiplug body.

4. Disconnect the HO2S multiplug.



5. Unscrew and remove the HO2S.



Install

6. Refit the components in reverse order.