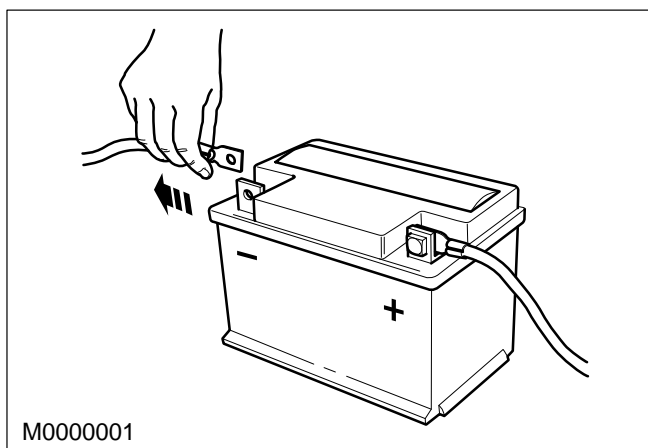
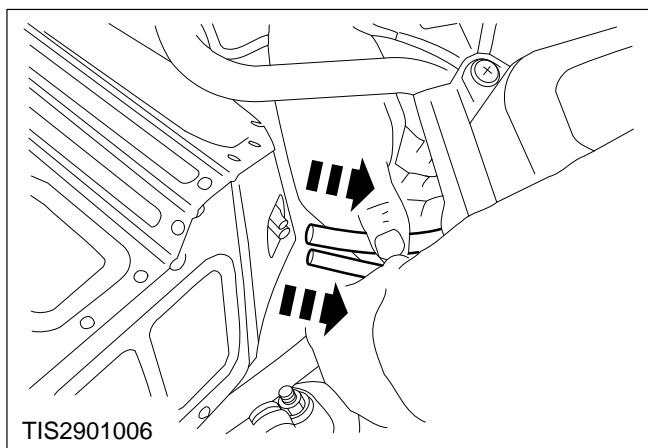


## Pipe – Exhaust Manifold to Exhaust Gas Recirculation Valve (DOHC Variants) – Remove and Install (23 301 0)

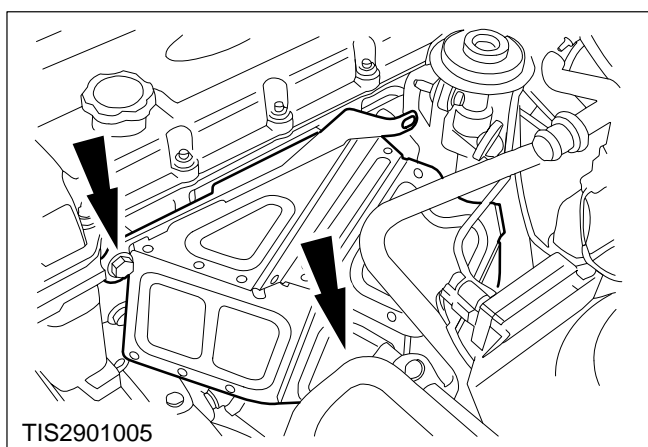


### Remove

1. Disconnect the battery earth lead.

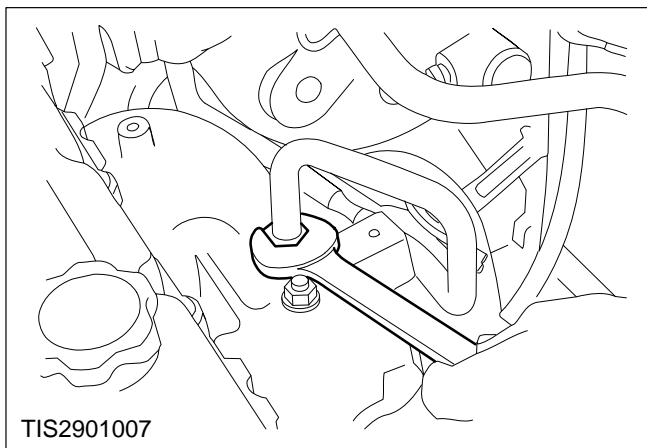


2. Disconnect the pressure transducer EGR system hoses.

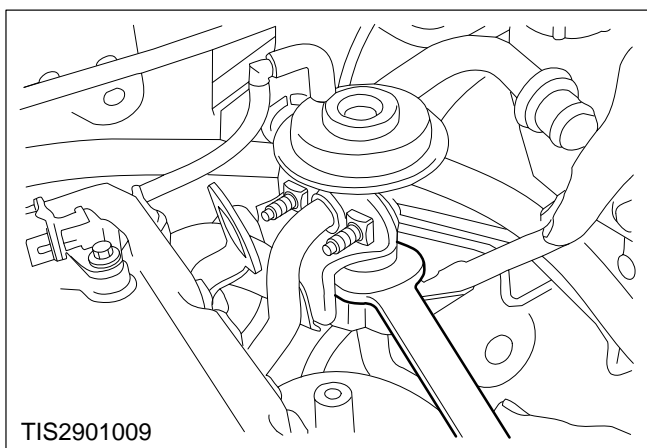


**⚠ WARNING:** The exhaust manifold and heatshield may be hot.

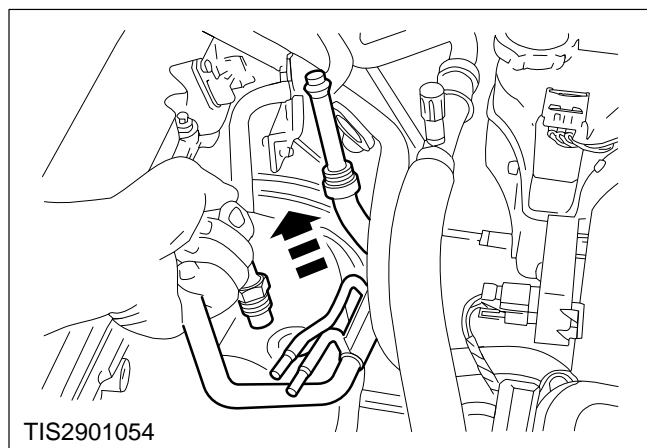
3. Unscrew the bolts and remove the heatshield.



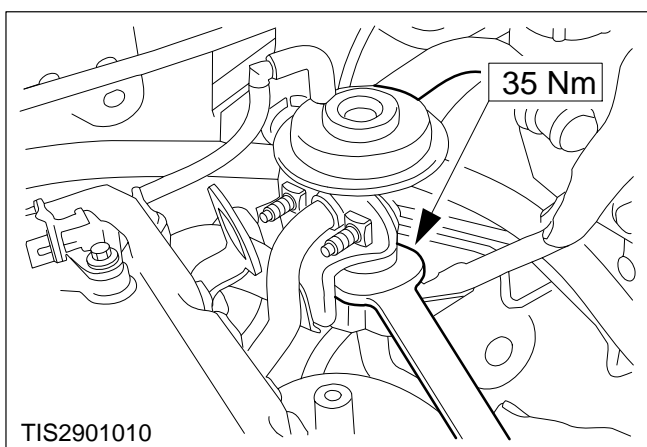
4. Unscrew the pipe union.



5. Unscrew the pipe union.



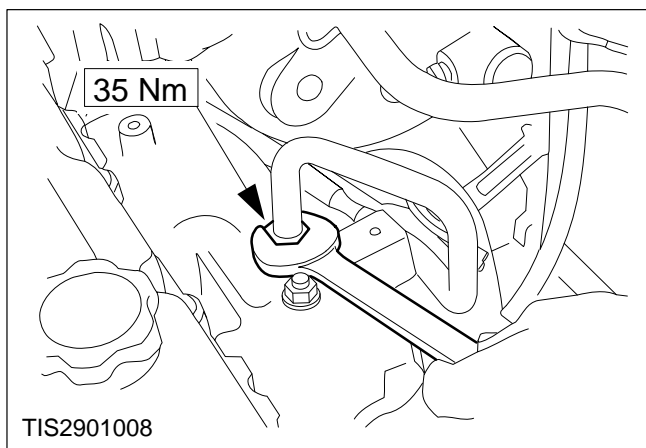
6. Remove and discard the exhaust manifold to EGR valve pipe.



Install

**⚠ CAUTION:** Take care not to allow debris to fall into the exhaust manifold.

7. Examine the olive seats and threads in the exhaust manifold and EGR valve. Clean as required.

**8. Refit the components in reverse order.**

- Always use a new exhaust manifold to EGR valve pipe assembly; do not attempt to refit the old one.
- Loosely assemble the pipe to both the EGR valve and the exhaust manifold before tightening the unions.