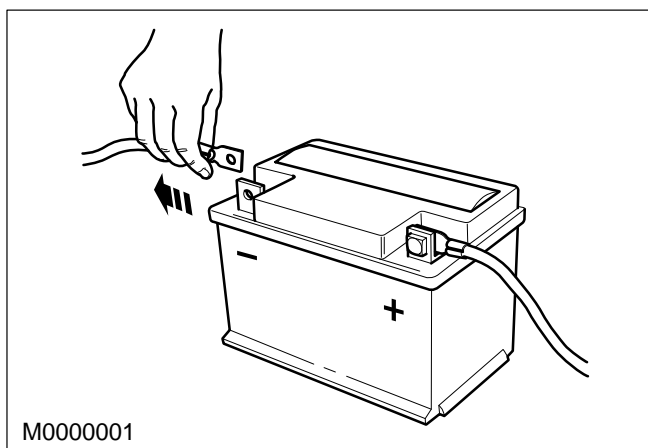
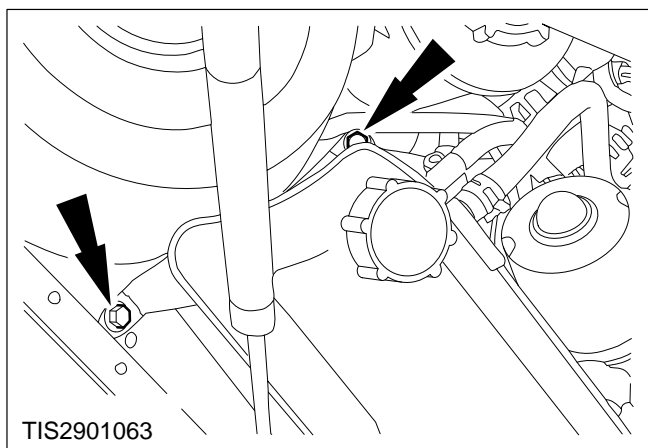


## Module – Electronic Ignition System – Remove and Install (29 205 0)

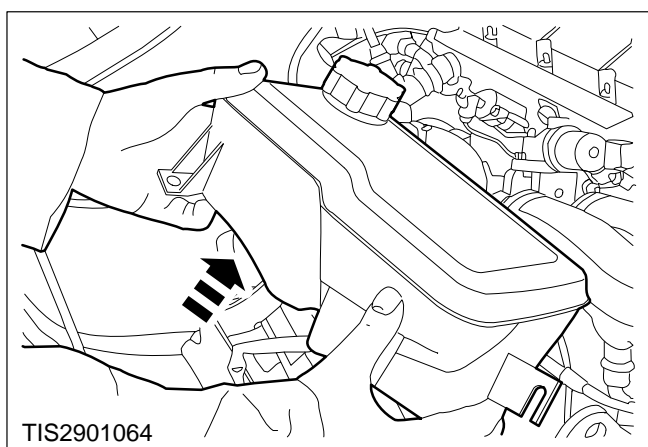


### Remove

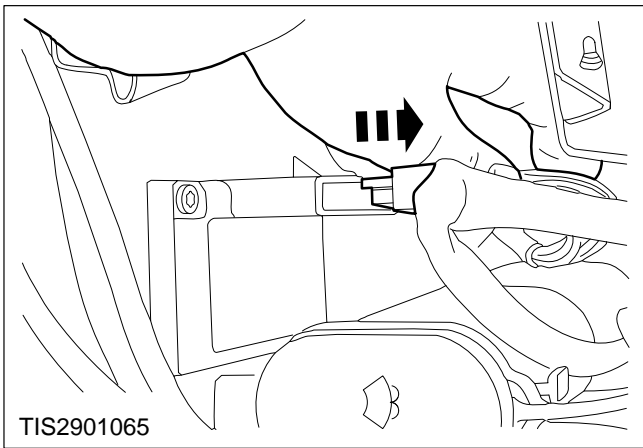
1. Disconnect the battery earth lead.



2. Unscrew the degas tank retaining bolts.

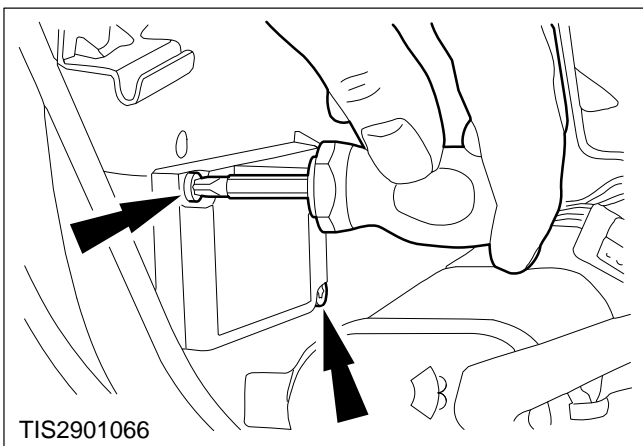


3. Carefully lift the degas tank to one side.



**⚠ CAUTION:** Do not pull on the wiring; pull on the multiplug body.

- 4. Disconnect the EI system module multiplug.**



- 5. Unscrew the retaining bolts and remove the EI system module.**

Install

- 6. Refit the components in reverse order.**