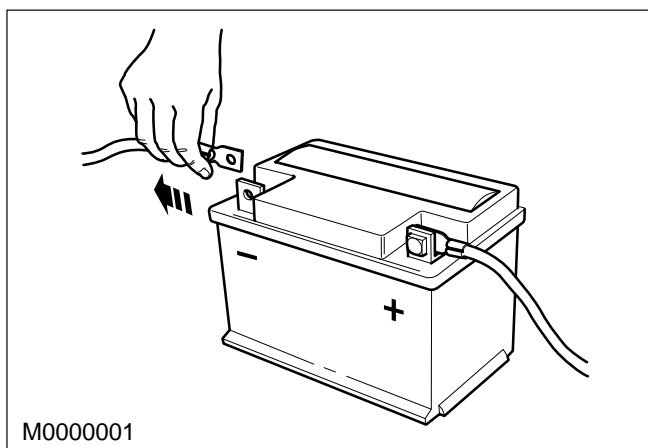
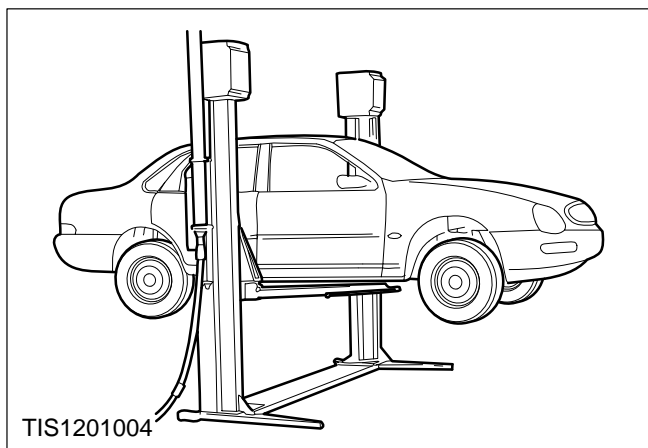


## Canister – Evaporative Emission – Remove and Install (29 250 0)

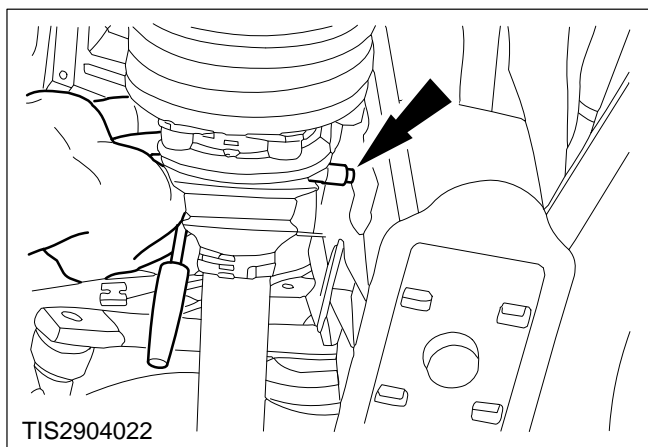


### Remove

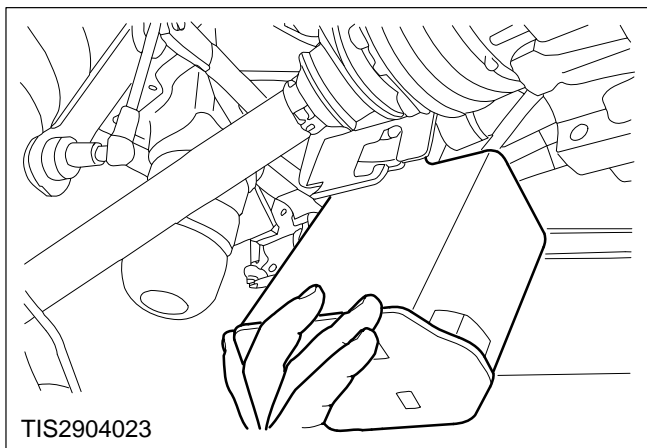
1. Disconnect the battery earth lead.



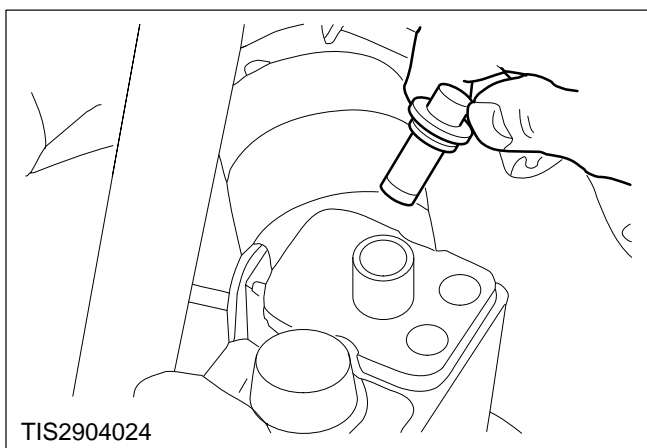
2. Raise the vehicle on a hoist.



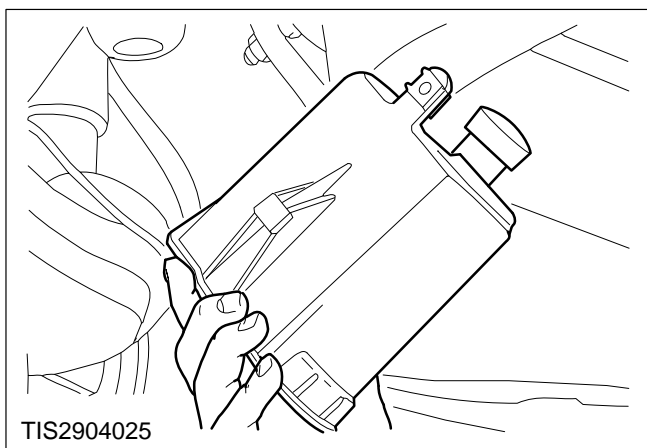
3. Unscrew the EVAP canister retaining bolt.



4. Unclip the EVAP canister from the bracket.



5. Disconnect the vapour pipe.



6. Remove the EVAP canister.

Install

7. Refit the components in reverse order.