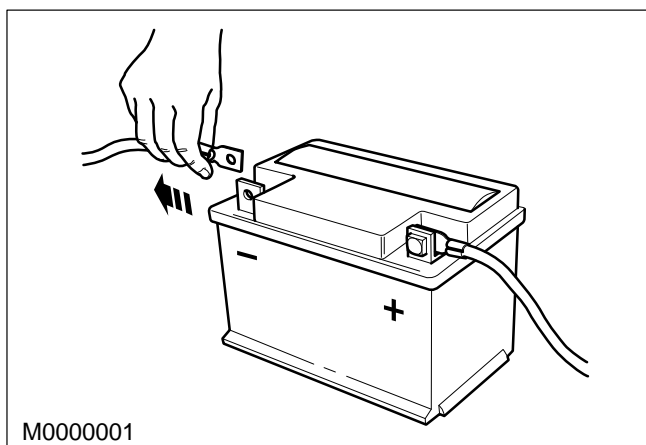
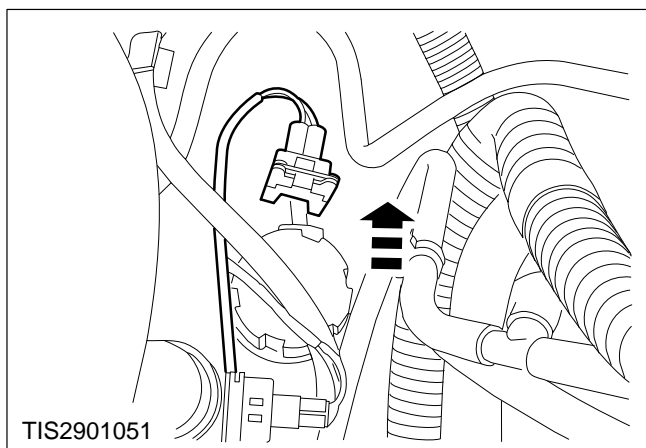


Valve – Evaporative Emission Canister Purge – Remove and Install (33 772 0)



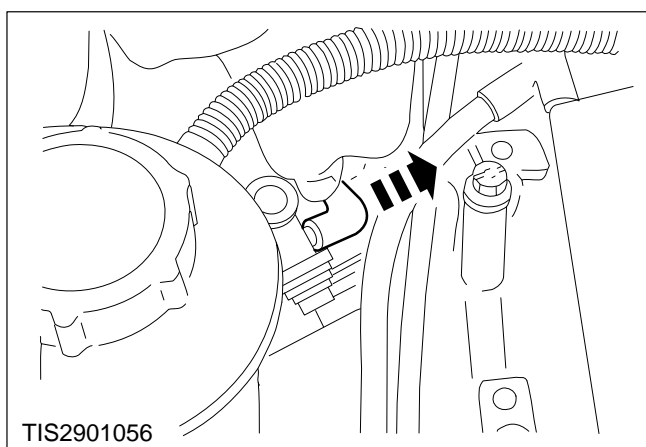
Remove

1. Disconnect the battery earth lead.

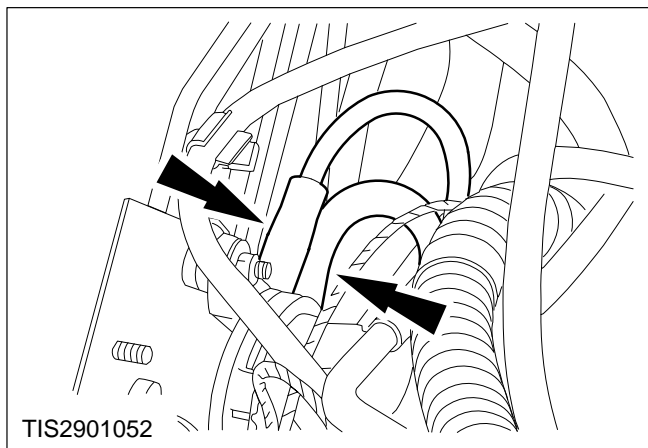


⚠ CAUTION: Do not pull on the wiring; pull on the multiplug body.

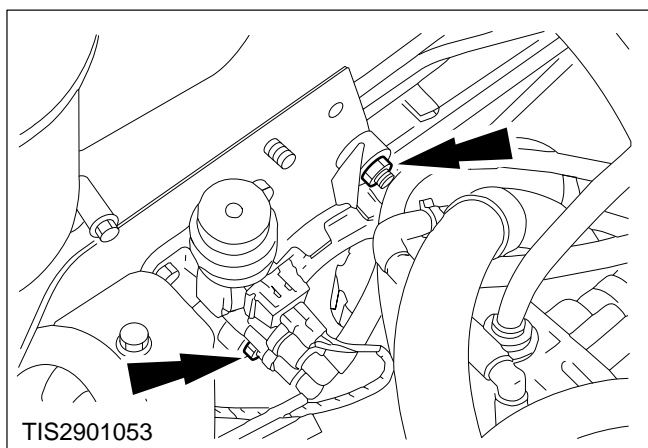
2. Disconnect the EVAP canister purge valve multiplug.



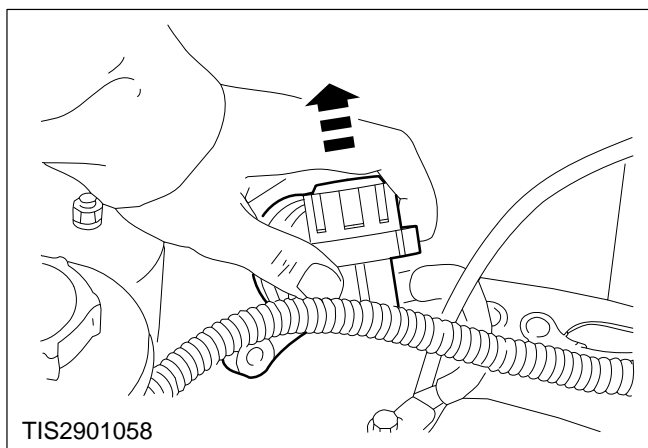
3. Disconnect the vacuum hose.



4. Disconnect the vapour pipes.



5. Unscrew the EVAP canister purge valve retaining nuts.



6. Remove the EVAP canister purge valve.

Install

7. Refit the components in reverse order.