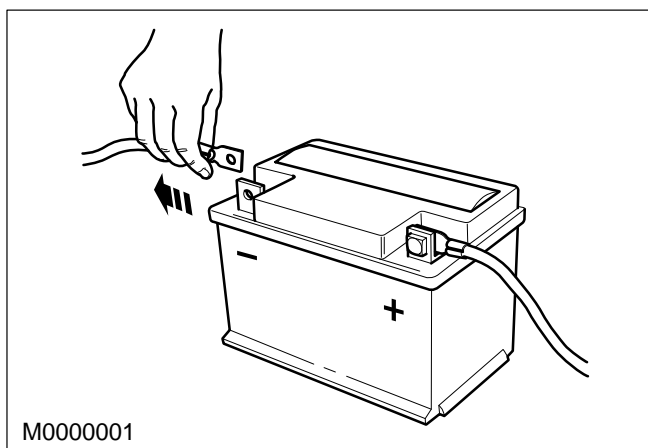
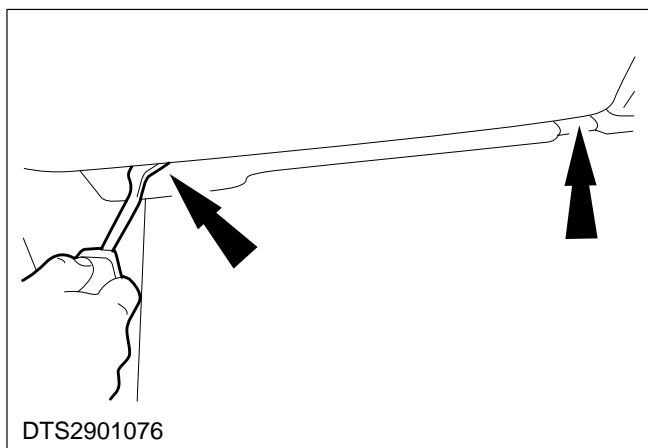


Module – Powertrain Control (Diesel Variants) – Remove and Install (29 200 0)

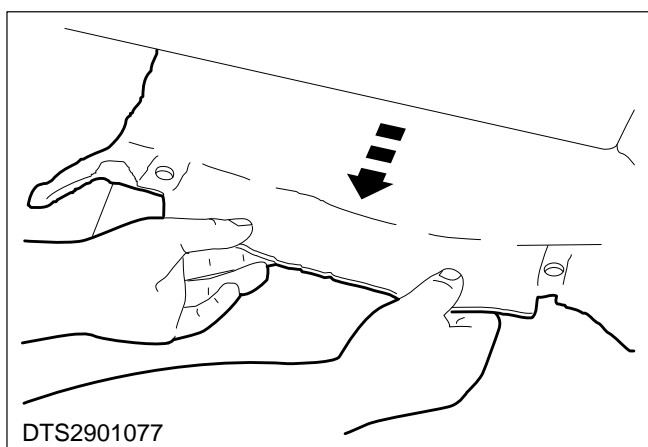


Remove

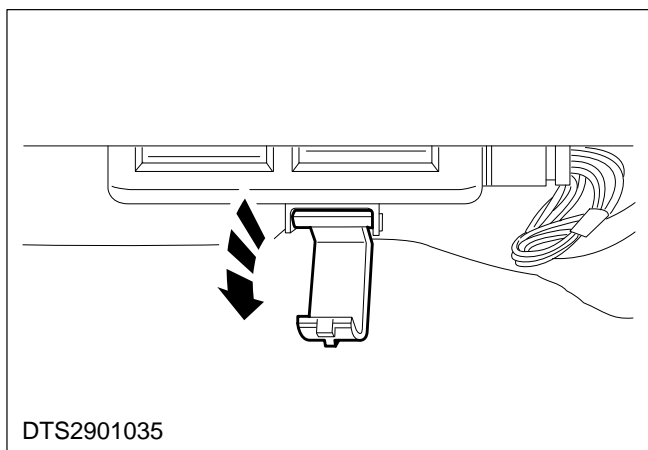
1. Disconnect the battery earth lead.



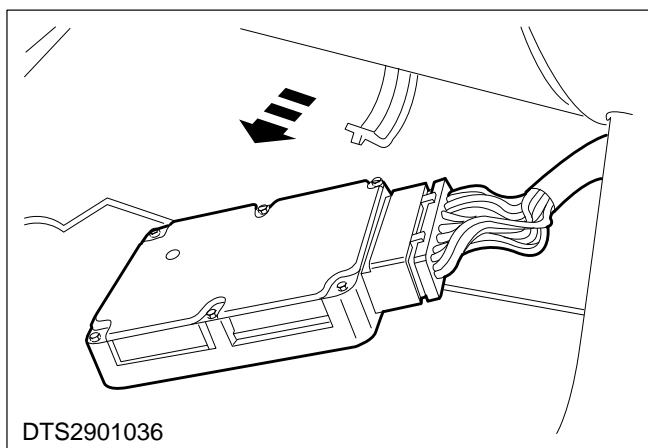
2. Remove the trim panel fasteners.



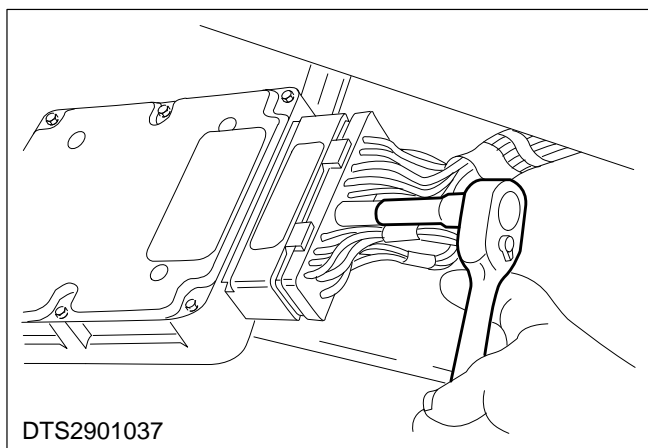
3. Lower the trim panel.



4. Release the PCM retaining clip.



5. Remove the PCM from the bracket.



⚠ CAUTION: Do not pull on the wiring; pull on the multiplug body.

6. Unscrew the retaining bolt and disconnect the PCM multiplug.

7. Remove the PCM.

Install

⚠ CAUTION: Ensure the PCM multiplug is refitted correctly to avoid damage to the module pins.

8. Refit the components in reverse order.