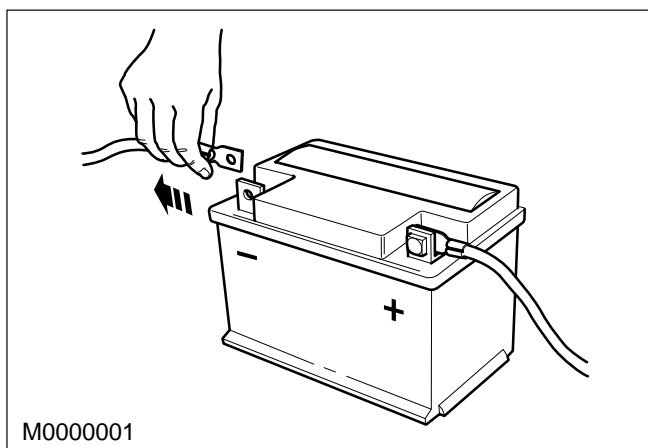
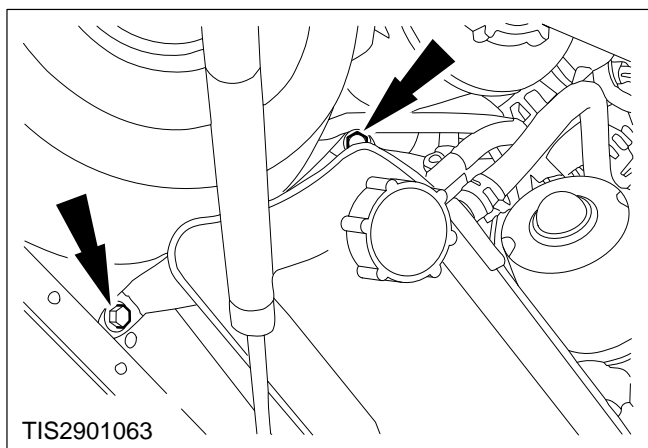


Regulator – Variable Inlet System Vacuum (Petrol Variants) – Remove and Install (23 401 0)

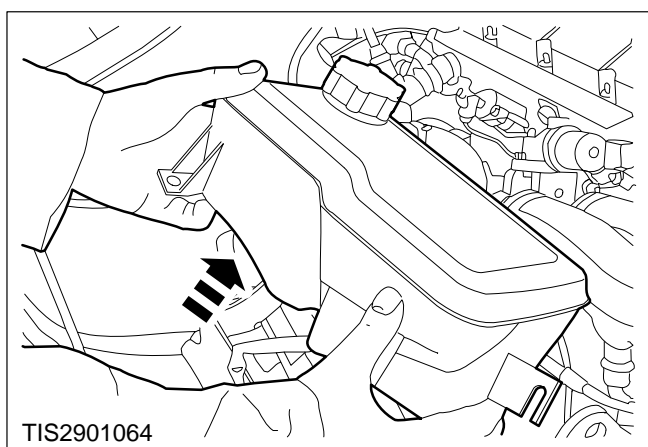


Remove

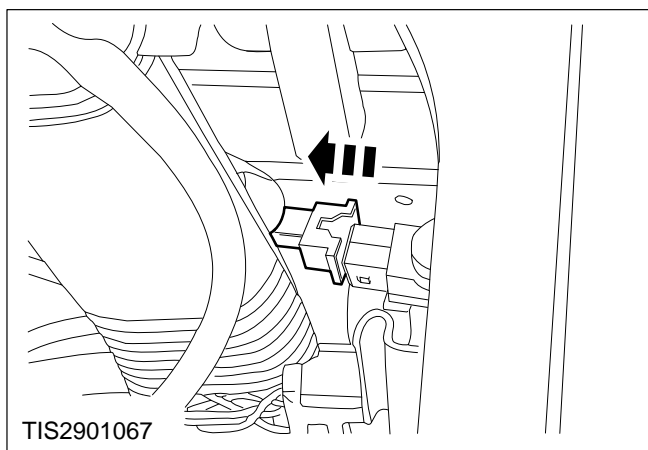
1. Disconnect the battery earth lead.



2. Unscrew the degas tank retaining bolts.

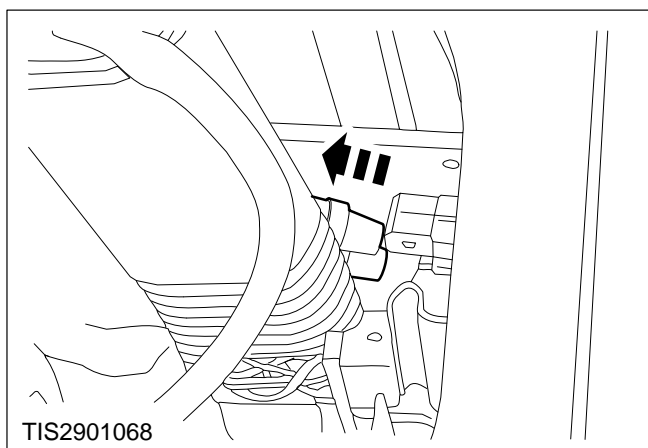


3. Carefully lift the degas tank to one side.

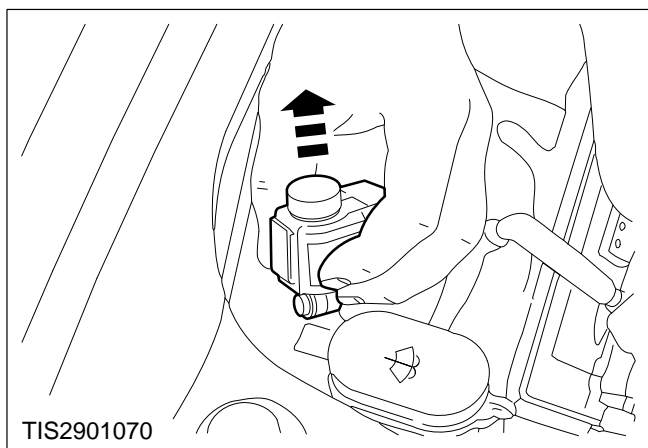


⚠ CAUTION: Do not pull on the multiplug; pull on the multiplug body.

4. Disconnect the VIS vacuum regulator multiplug.



5. Disconnect the vacuum hoses.



6. Unclip and remove the VIS vacuum regulator.

Install

7. Refit the components in reverse order.