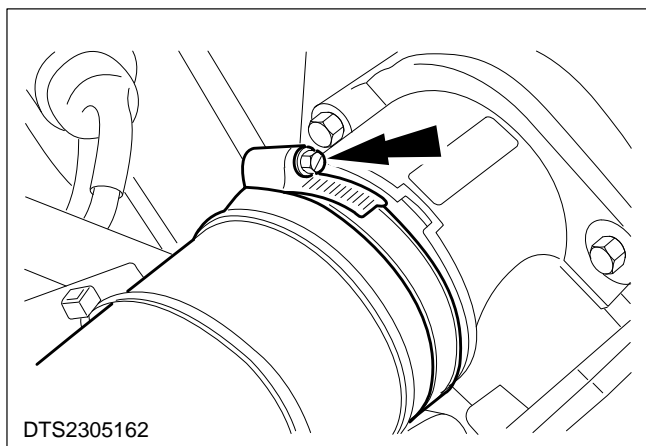
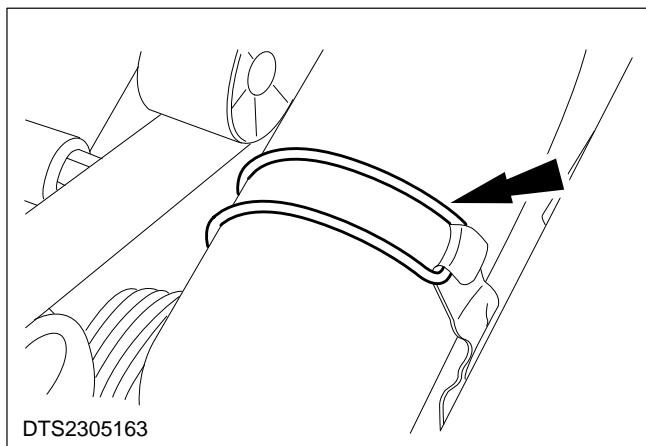


Sensor – Mass Air Flow (97¼ MY Onwards) – Remove and Install (29 226 0)

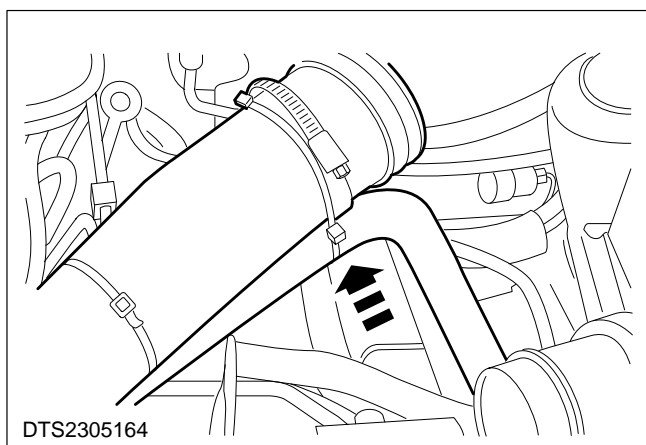


Remove

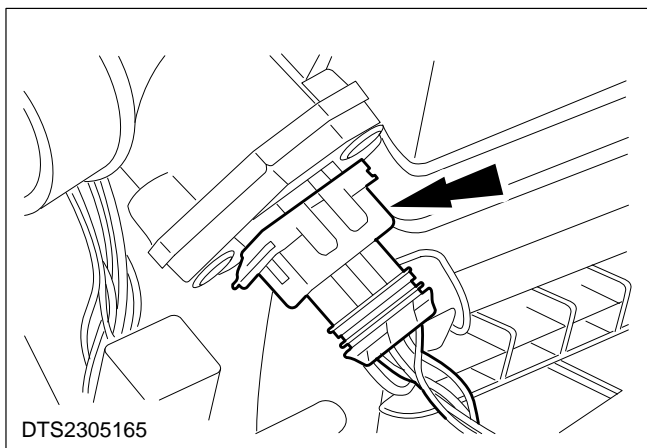
1. Disconnect the air cleaner outlet tube from the mass air flow sensor.



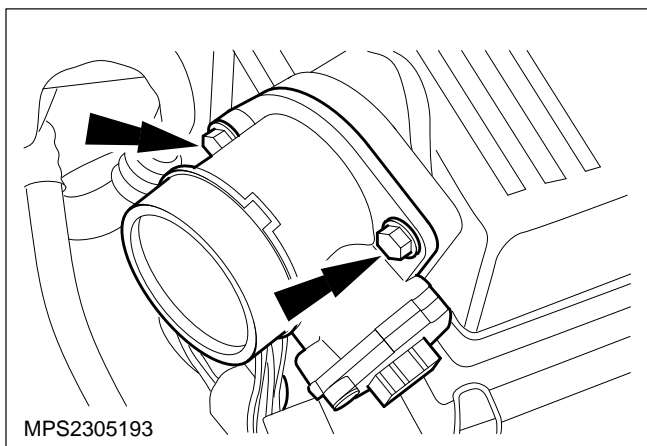
2. Remove the air cleaner outlet tube retaining band.



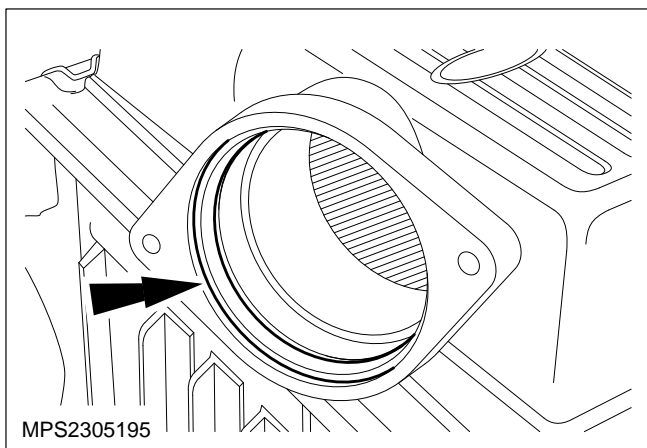
3. Position the air cleaner outlet tube to one side.



4. Disconnect the mass air flow sensor electrical connector.



5. Remove the mass air flow sensor.



Install

6. Install a new mass air flow sensor seal.

7. To install the mass air flow sensor, reverse the removal procedure.