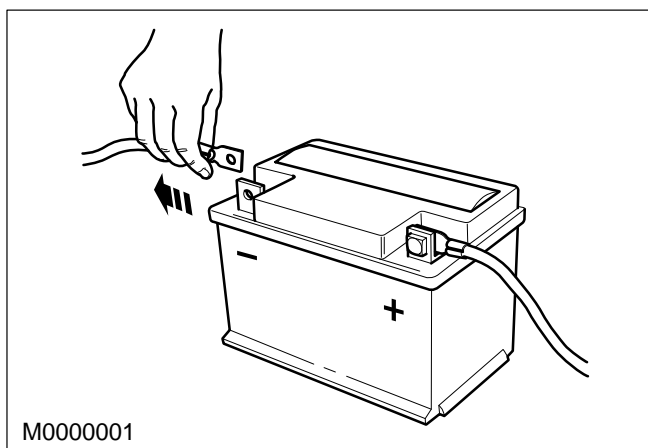
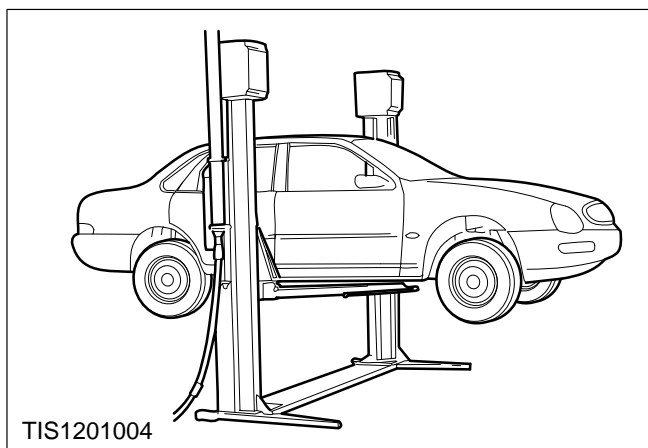


Sensor – Crankshaft Position – Remove and Install (29 230 0)

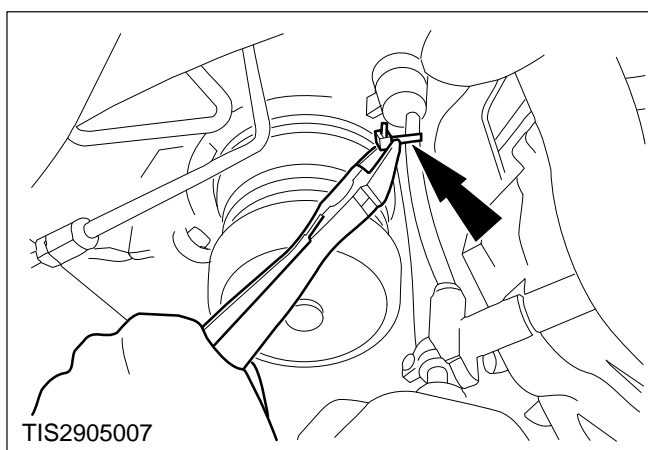


Remove

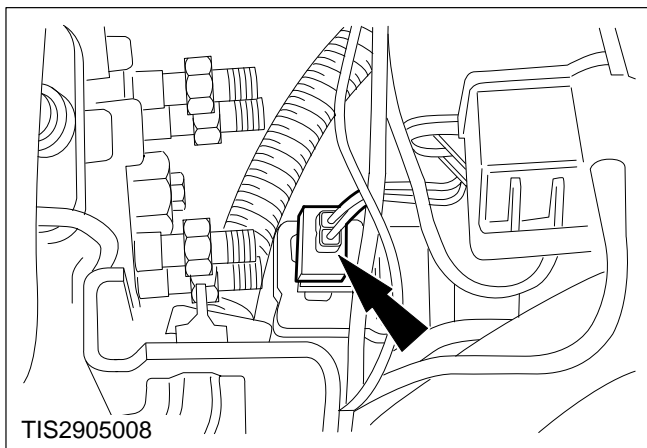
1. Disconnect the battery earth lead.



2. Raise the vehicle on a hoist.

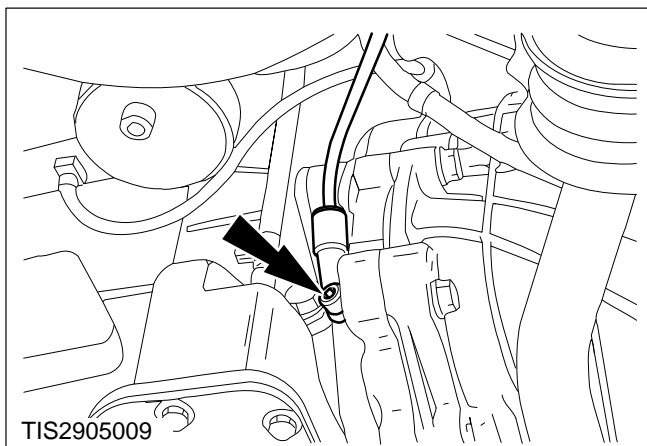


3. Cut the cable tie.

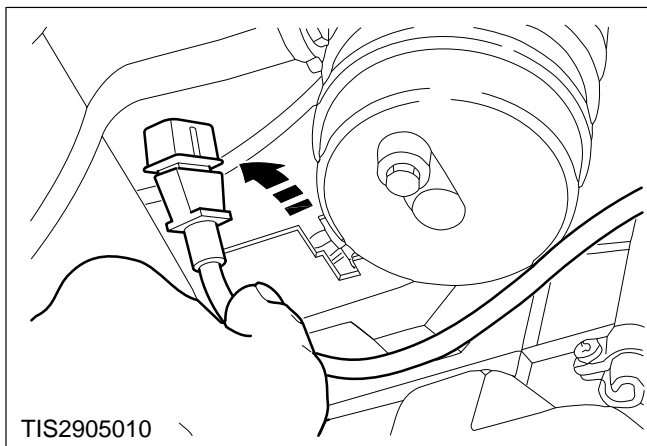


⚠ CAUTION: Do not pull on the wiring; pull on the multiplug body.

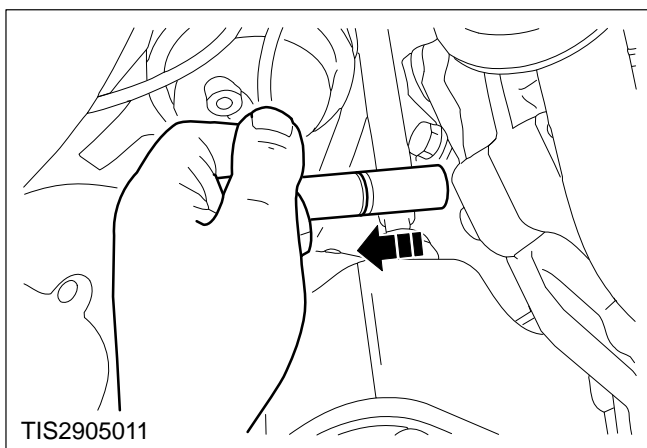
4. Disconnect the CKP sensor multiplug.



5. Unscrew the CKP sensor retaining bolt.



6. Disconnect the multiplug from the bracket.



7. Remove the CKP sensor.

Install

8. Refit the components in reverse order.