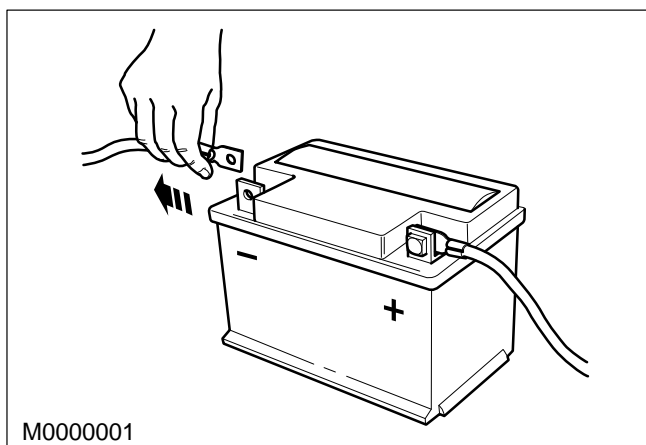
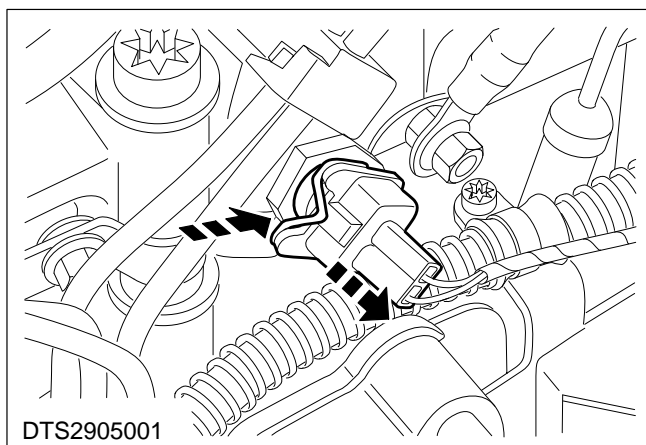


Sensor – Engine Coolant Temperature – Remove and Install (21 190 0)



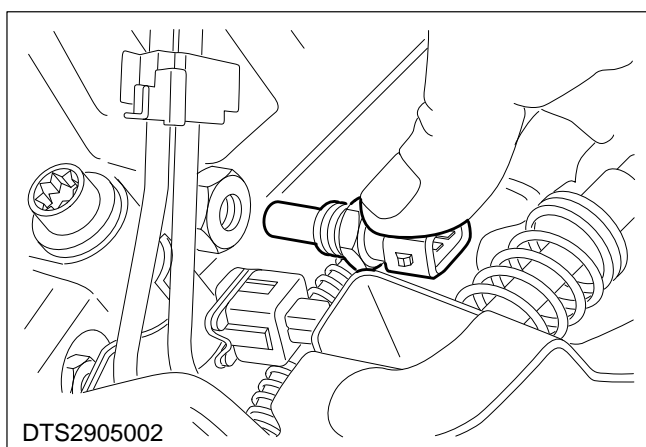
Remove

1. Disconnect the battery earth lead.
2. Drain the cooling system (refer to Operation No. 24 122 0).



⚠ CAUTION: Do not pull on the wiring; pull on the multiplug body.

3. Disconnect the ECT sensor multiplug,



4. Unscrew and remove the ECT sensor.

Install

5. Refit the components in reverse order.