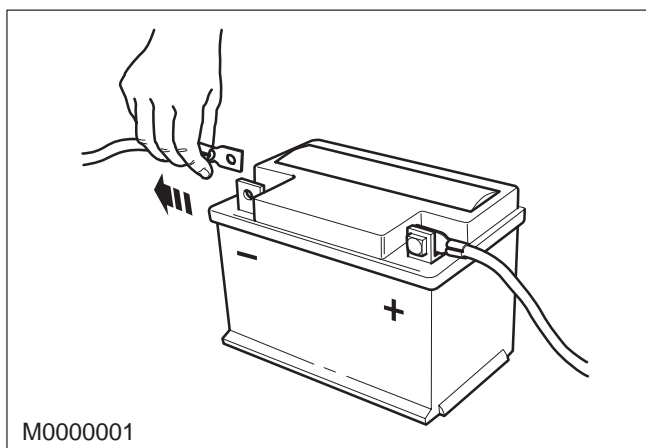
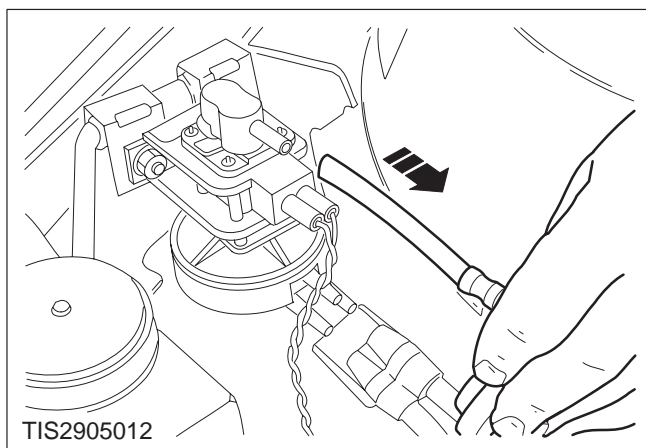


## Regulator – Exhaust Gas Recirculation Vacuum – Remove and Install (29 260 0)

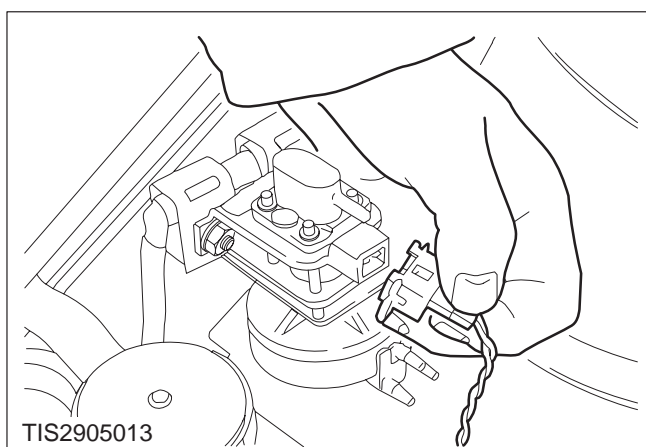


### Remove

1. Disconnect the battery earth lead.

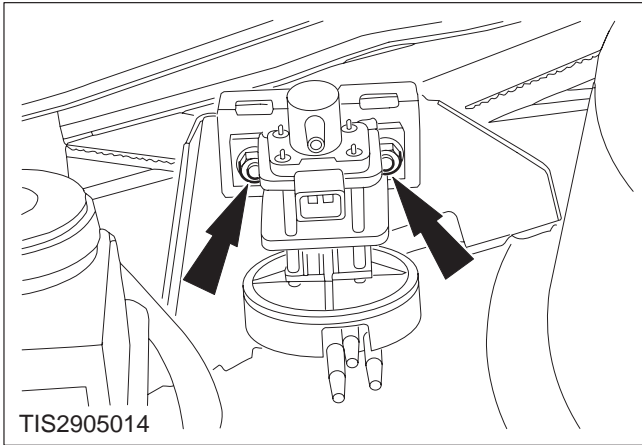


2. Disconnect the vacuum hoses.

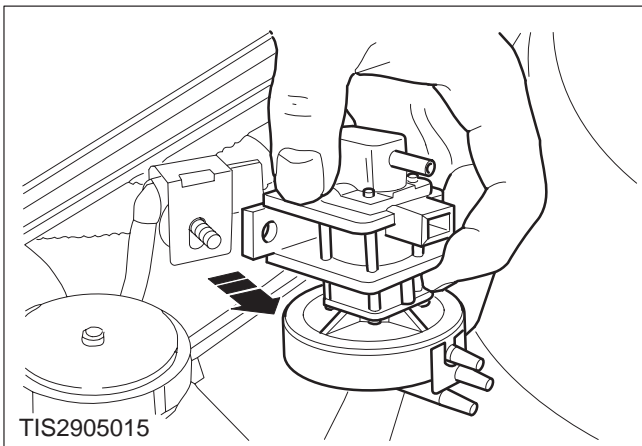


**⚠ CAUTION:** Do not pull on the wiring; pull on the multiplug body.

3. Disconnect the EGR vacuum regulator multiplug.



**4. Unscrew the EGR vacuum regulator retaining bolts.**



**5. Remove the EGR vacuum regulator.**

Install

**6. Refit the components in reverse order.**