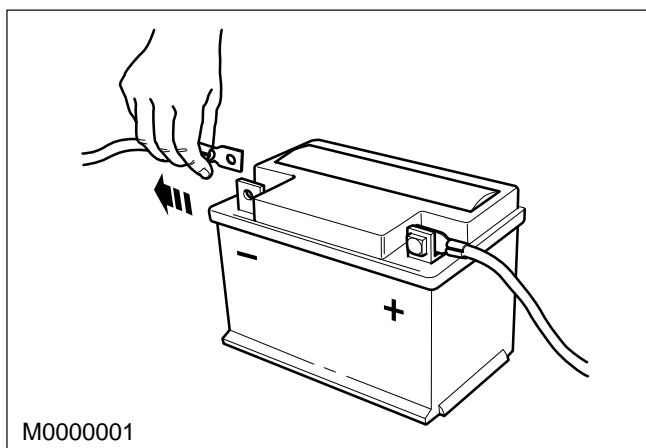
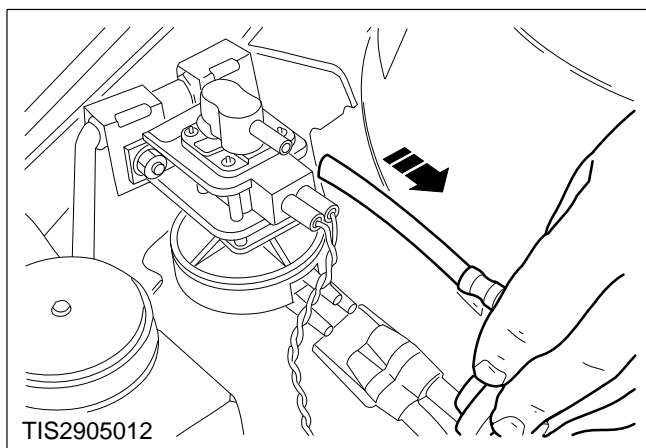


## Electronic Vacuum Regulator – Remove And Install (29 245 0)

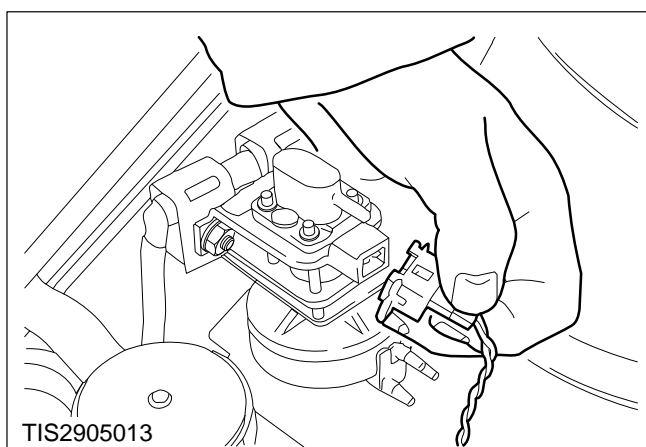


### Remove

1. **Disconnect the battery earth lead.**

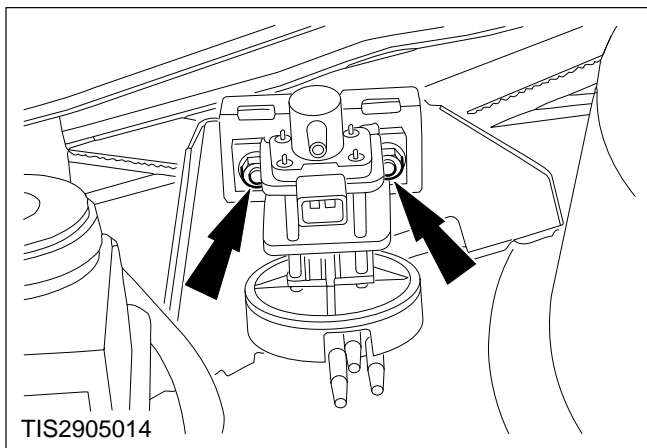


2. **Disconnect the vacuum hoses.**

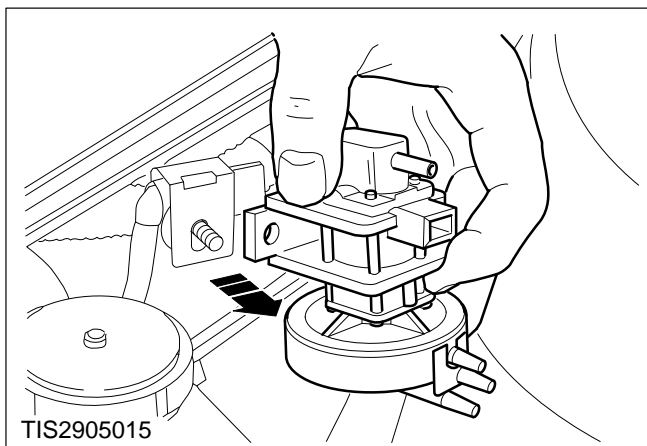


**⚠ CAUTION:** Do not pull on the wiring; pull on the multiplug body.

3. **Disconnect the electronic vacuum regulator multiplug.**



**4. Unscrew the electronic vacuum regulator retaining bolts.**



**5. Remove the electronic vacuum regulator.**

Install

**6. Refit the components in reverse order.**