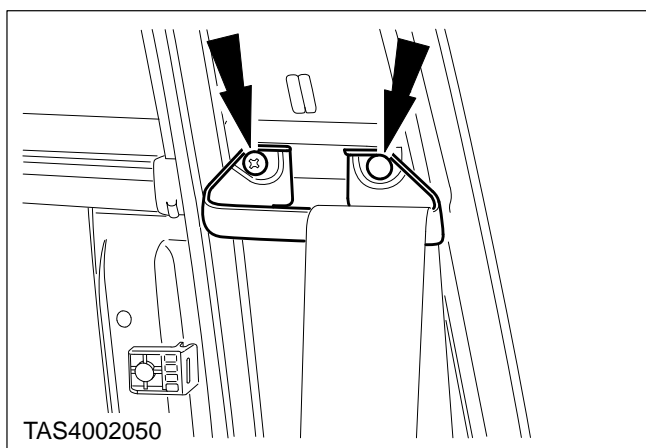


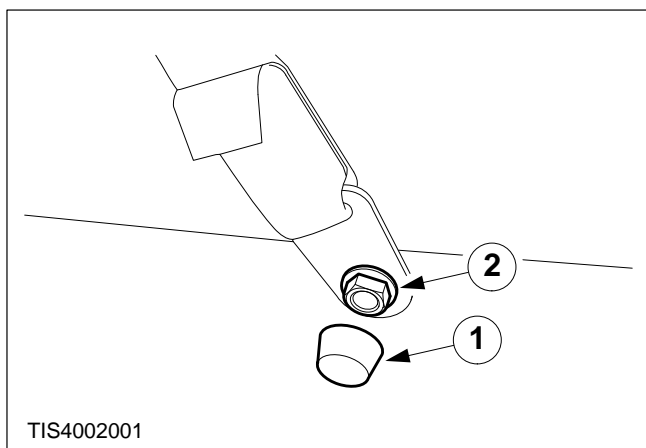
Belt – Front Seat – Remove and Install (40 222 0)

Remove

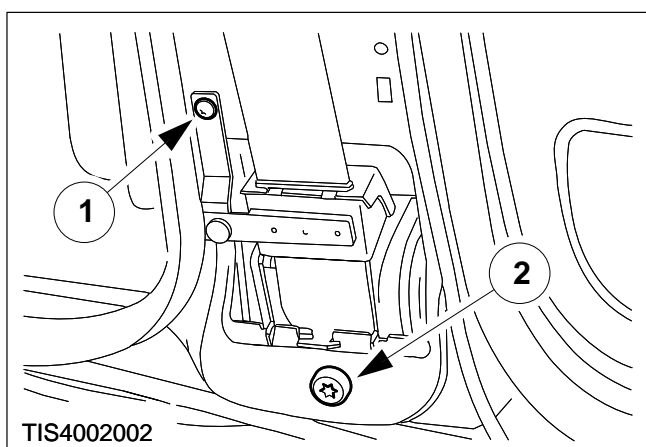
1. Remove the upper and lower B-pillar trim (refer to Operation Number 43 617 0).
2. Remove the seat belt guide.
3. Remove the cowl side trim panel (refer to Operation Number 43 735 0).

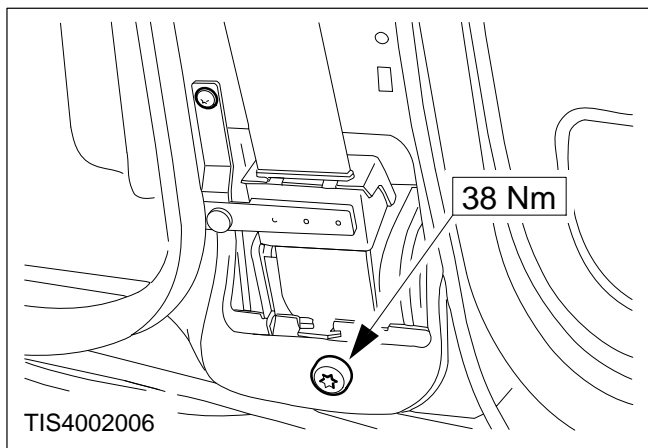


4. Detach the seat belt lower anchor bolt.
 - 1 Remove the cover.
 - 2 Remove the retaining bolt.



5. Remove the seat belt retractor unit.
 - 1 Remove the belt guide screw.
 - 2 Remove the retractor retaining bolt.





Install

6. Refit the components in reverse order.

