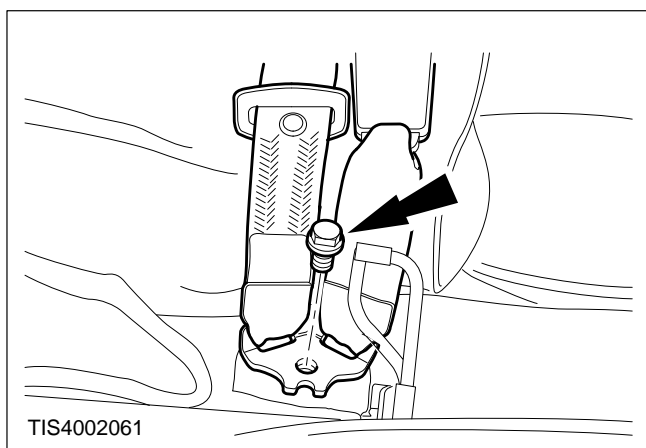


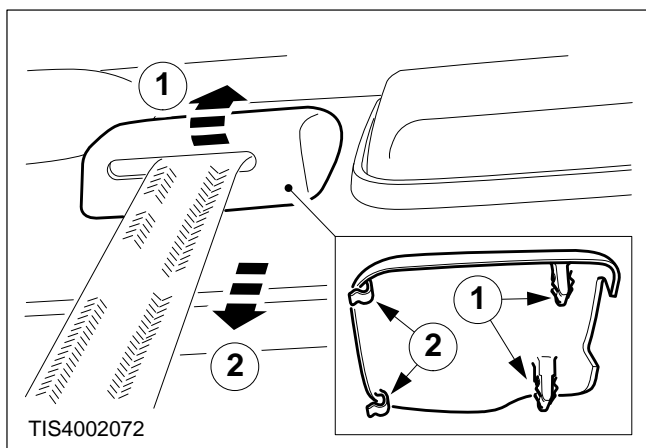
Belt And Stalk – Rear Seat – Centre (Three Point – Notch) – Remove And Install (40 241 0)



Remove

1. Detach the lower seat belt anchor.

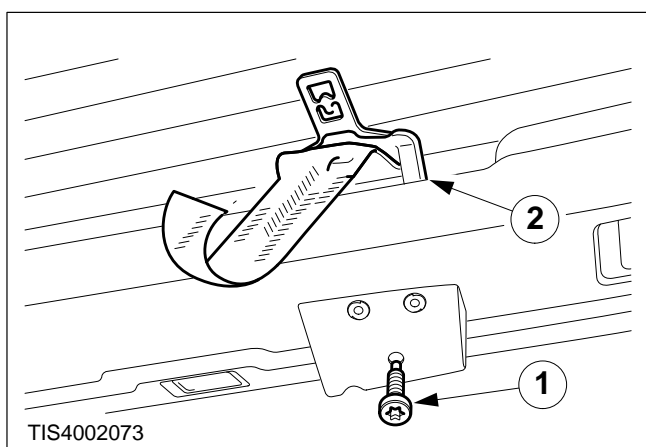
- Remove the Torx retaining bolt.



2. Remove the centre seat belt retractor cover.

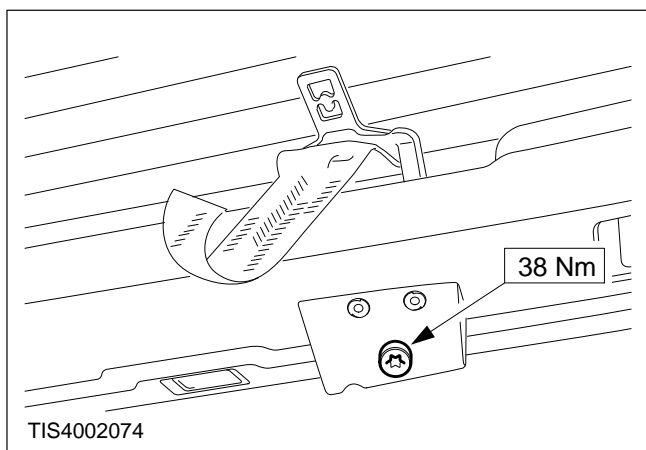
- 1 Lift the front edge of the cover disengaging the retaining clips.
- 2 Slide the cover forward to disengage the rear retaining tangs.

3. Lower the rear seat backrest.



4. Remove the centre rear seat belt assembly.

- 1 Remove the Torx retaining bolt.
- 2 Remove the centre seat belt assembly.



Install

⚠ CAUTION: Check the operation of the seat belt.

- 5. Refit the components in the reverse order.**

