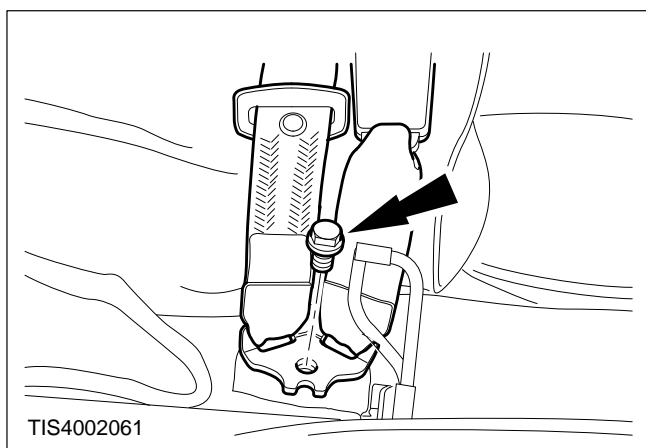


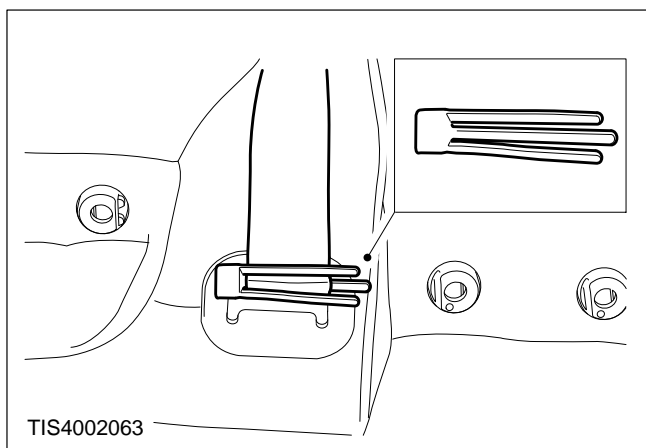
Catch – Rear Seat Backrest (Centre Three Point – Wagon) – Remove And Install (40 534 0)



Remove

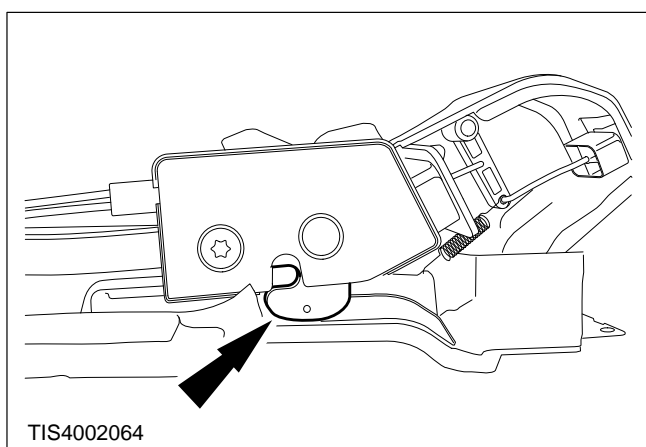
1. Detach the lower seat belt anchor.

- Remove the Torx retaining bolt.

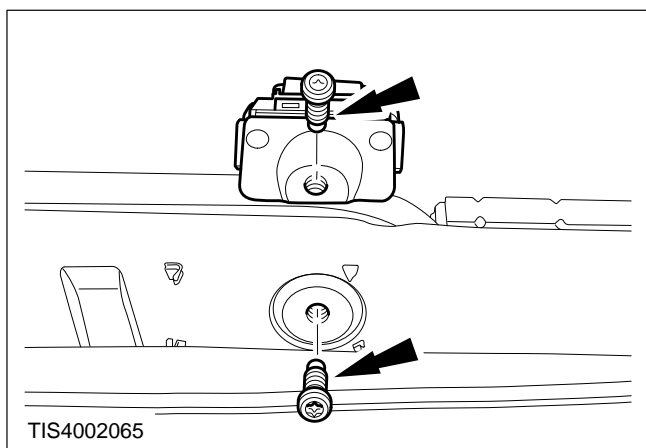


2. Install the seat belt webbing retainer before removing the seat cover and pad.

3. Remove the rear seat backrest cover and pad. Refer to Operation No. 40 127 0.

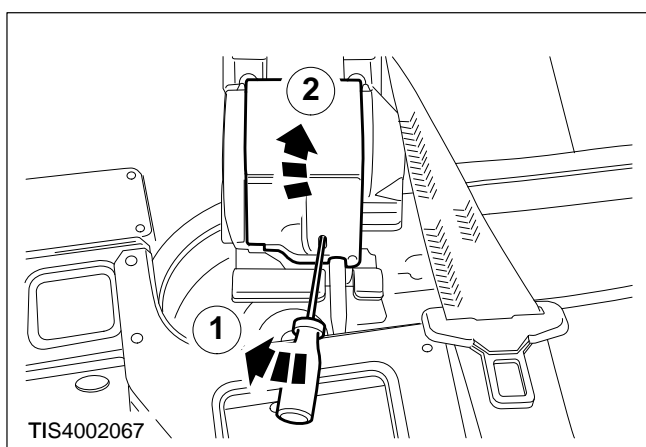


4. Lock off the rear seat backrest catch.



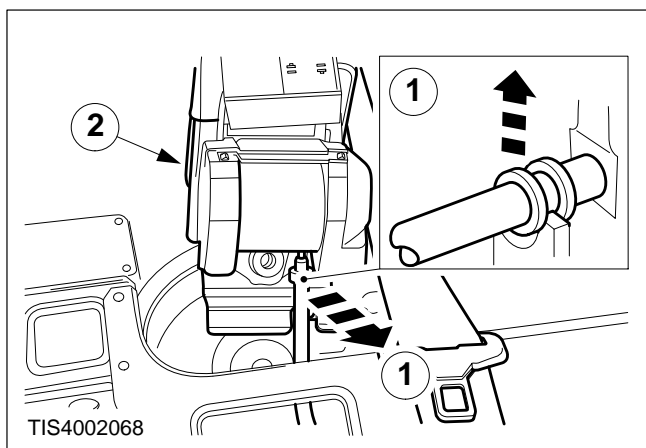
5. Detach the centre seat belt retractor.

- Remove the two Torx retaining bolts.



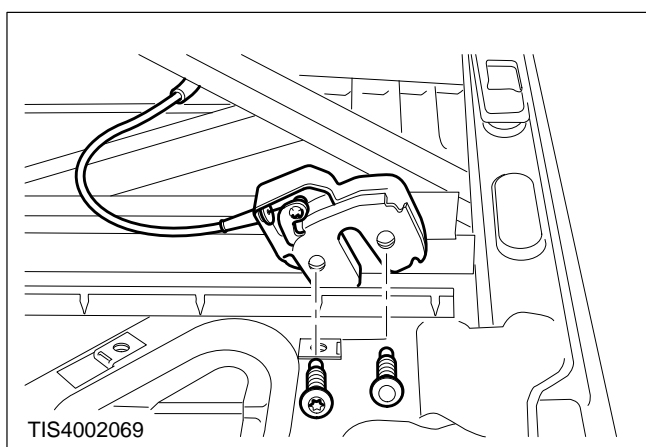
6. Open the seat belt retractor cover.

- 1 Use a screwdriver to release the retaining tang.
- 2 Open the retractor cover.



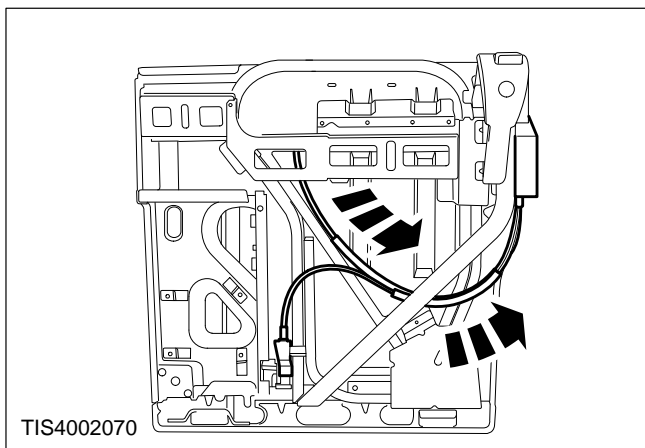
7. Remove the centre seat belt assembly.

- 1 Detach the seat belt retractor lock Bowden cable.
- 2 Remove the centre seat belt assembly.



8. Remove the seat backrest catch assembly.

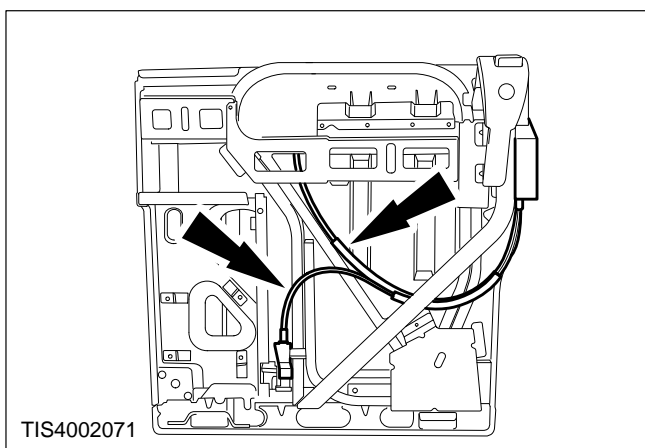
- Remove the four Torx retaining bolts from the upper and lower catch.



⚠ CAUTION: Make sure the routing of the two Bowden cables is noted before removing the assembly.

9. Remove the seat backrest catch assembly.

- Remove the two Torx retaining bolts.



Install

⚠ CAUTION: Make sure the Bowden cables are correctly routed.

⚠ CAUTION: Check the operation of the seat belt retractor before fully assembling rear seat backrest.

10. Refit the components in the reverse order.

